

Scale 1:1

# STANDARD APPLICATION TEMPLATE FOR A RIGHT HAND DOOR

UPPER FRAME

DOOR

EDGE OF DOOR

FOR OPENING TO 100°

FOR OPENING TO 130°

FOR OPENING TO 180°

SPEED REGULATING VALVES

800 SERIES

140 [5 1/2]

44 [1 3/4]

30 [1 3/16]

19 [3/4]

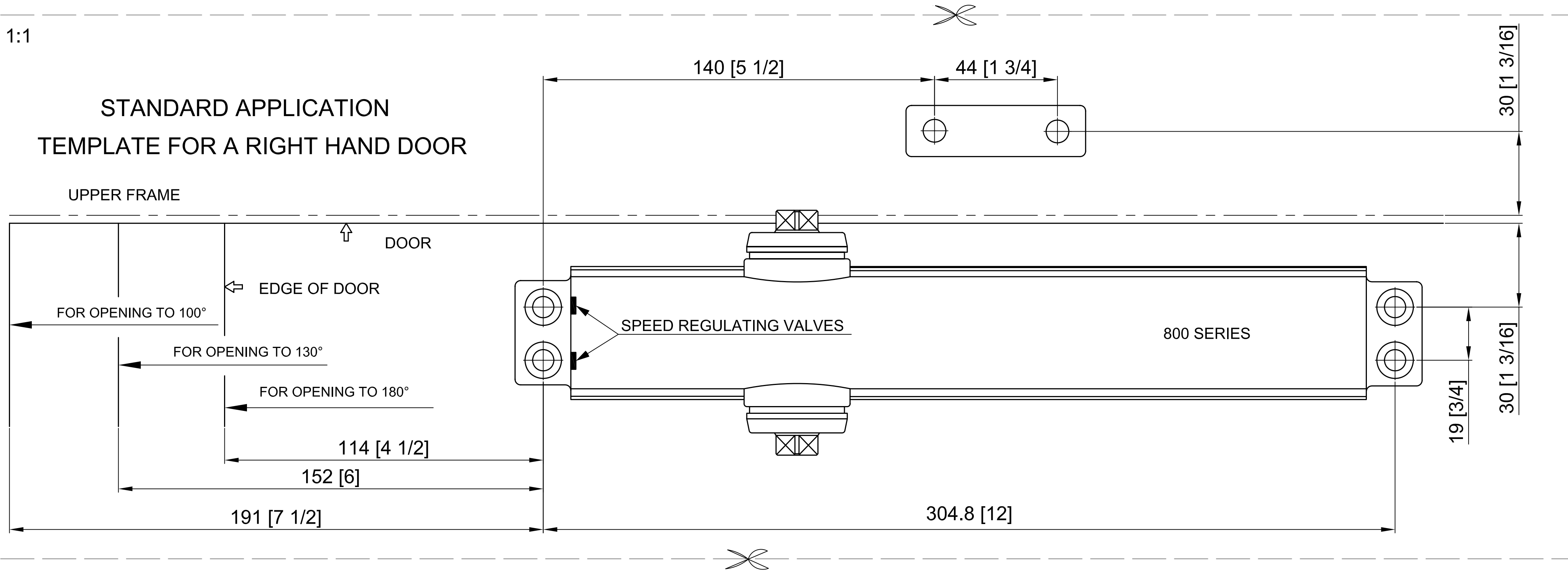
30 [1 3/16]

191 [7 1/2]

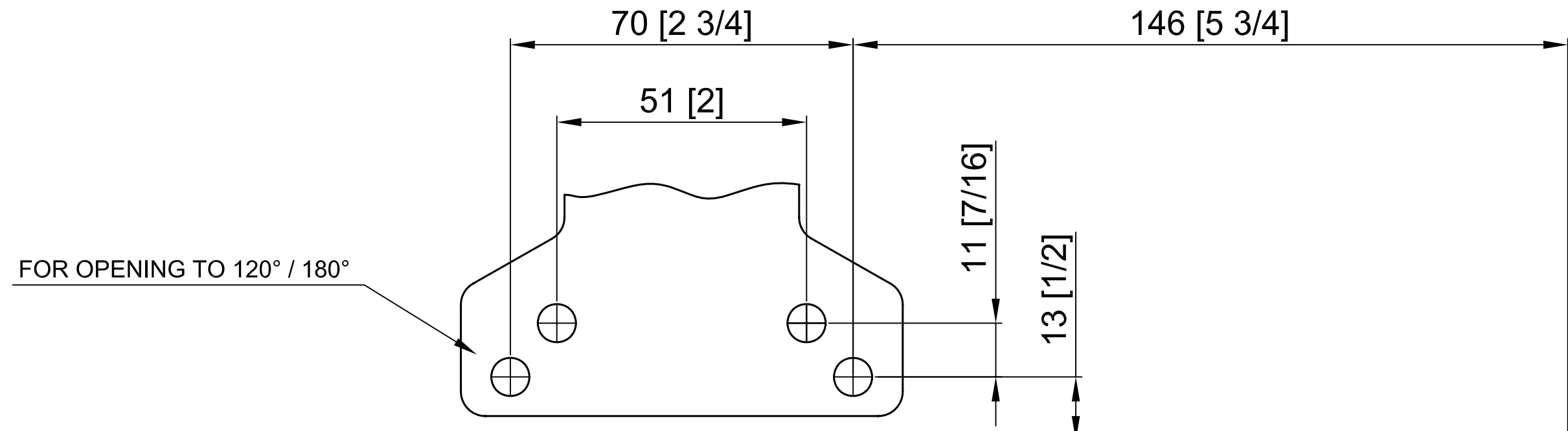
114 [4 1/2]

152 [6]

304.8 [12]

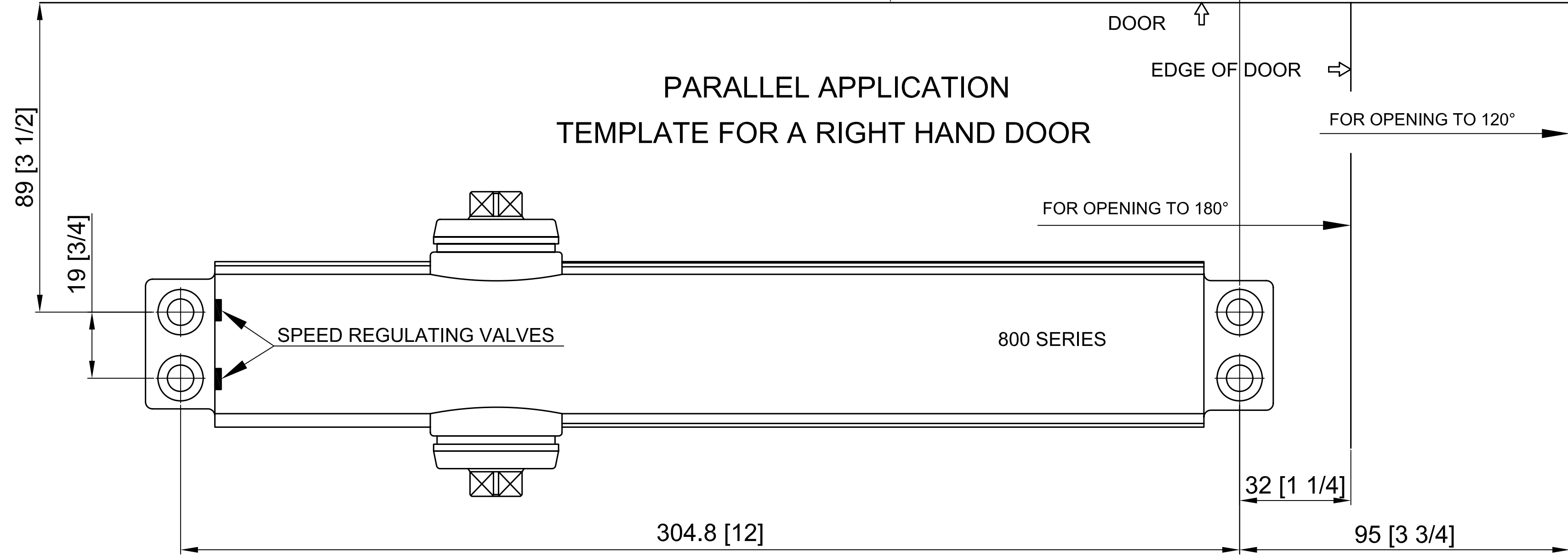


Scale 1:1

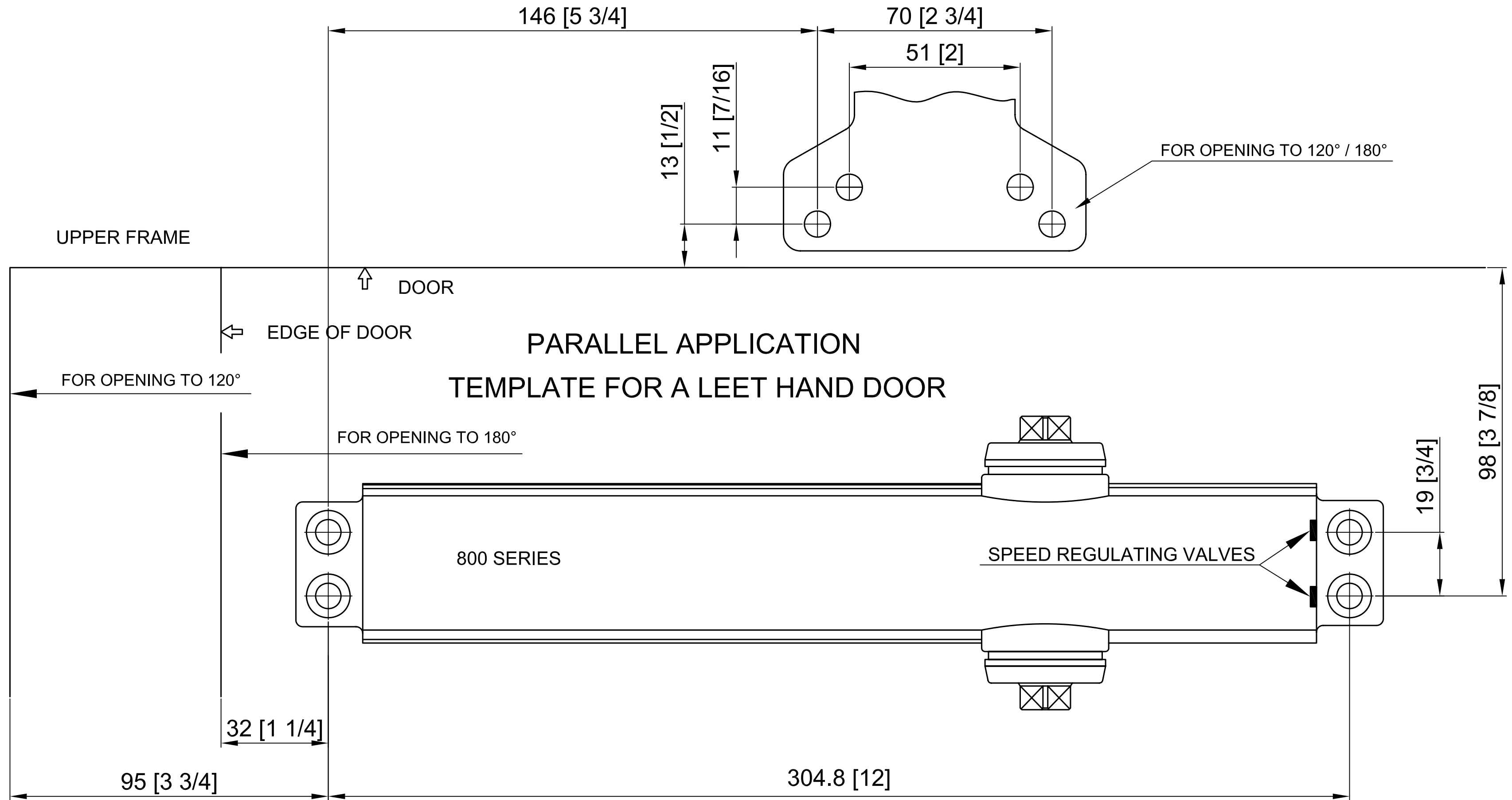


UPPER FRAME

### PARALLEL APPLICATION TEMPLATE FOR A RIGHT HAND DOOR



Scale 1:1



Scale 1:1

