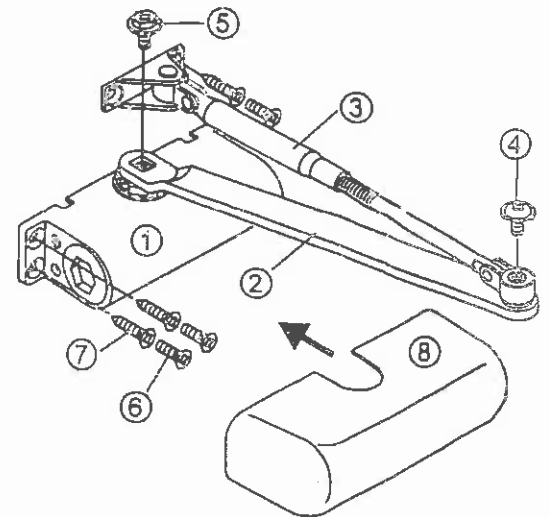


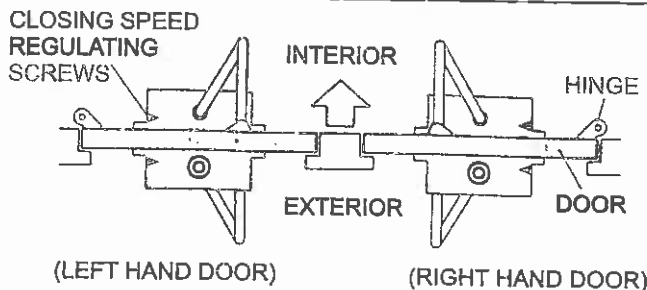
2000 series

# INSTALLATION INSTRUCTIONS FOR DOOR CLOSER

Ref No.	Name Of Parts	Qty
1	BODY	1
2	MAIN ARM	1
3	CONNECTING ARM	1
4	ELBOW SCREW	1
5	PINION SCREW	1
6	1/4-20 SCREW	6
7	NO.12 WOOD SCREW	6
8	BODY COVER	1



## 1. CHECK DOOR HANDING

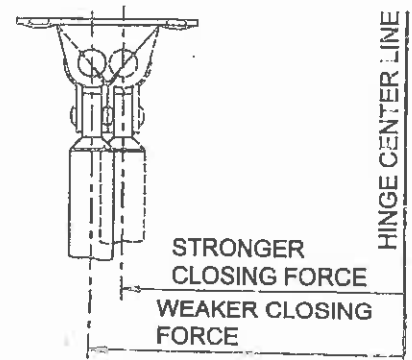


(LEFT HAND DOOR) (RIGHT HAND DOOR)

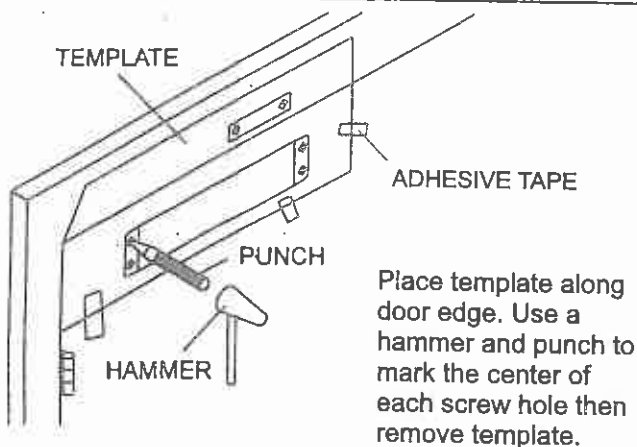
This door closer fits RH/LH doors. Before installation, check door handing by referring to above shown illustration.

## 2. ADJUST CLOSING FORCE

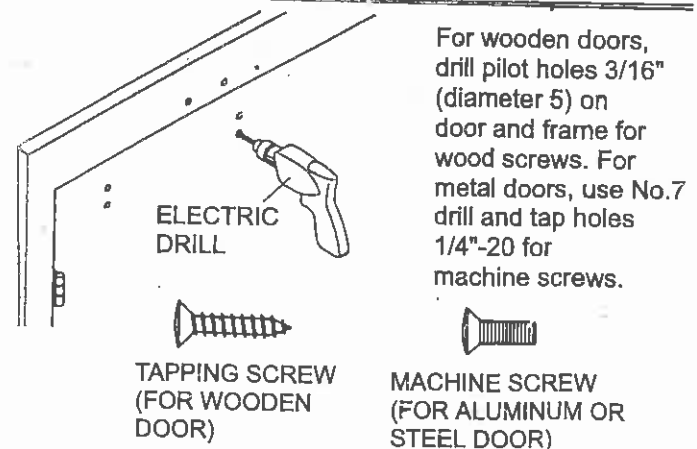
Closing force can be changed by turning arm shoe 180° before installation. The longer distance from arm to hinge center line will make closing force weaker. The shorter distance will make closing force stronger.



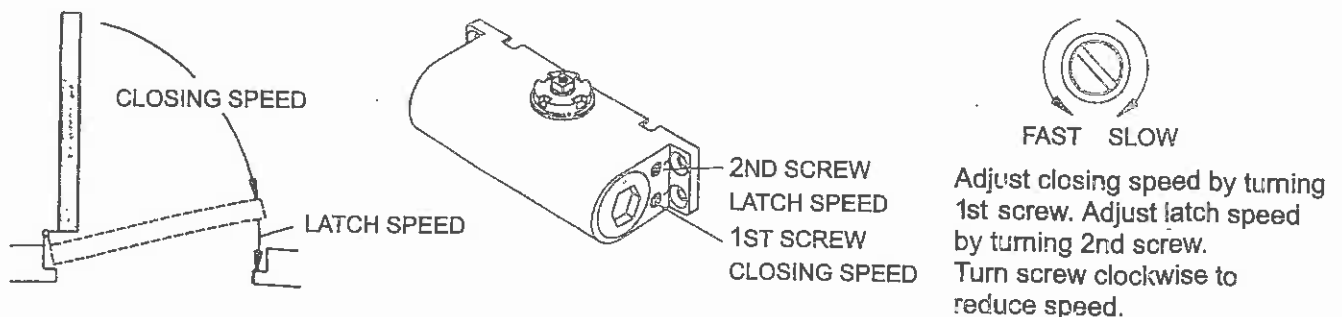
## 3. MARK DOOR



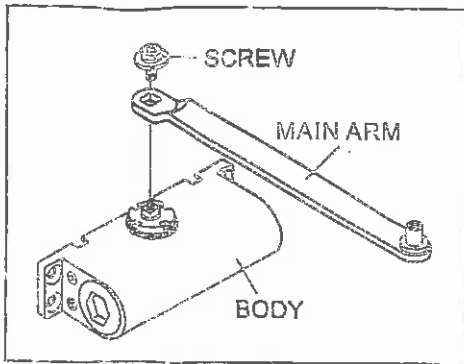
## 4. DRILL HOLES



## 5. ADJUST SPEED



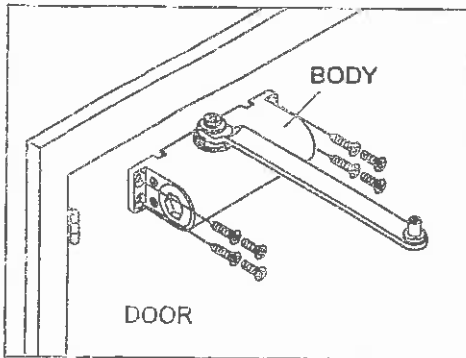
**6. CONNECT ARM WITH BODY**



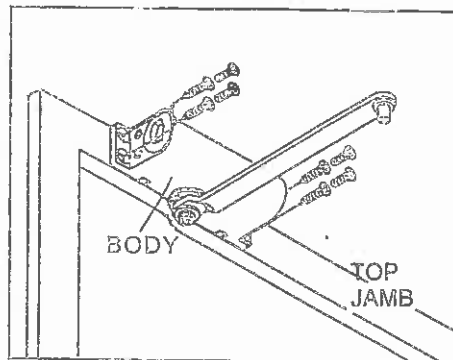
Match the square hole at end of arm with the square part of pinion then tighten with arm screw.

**7. INSTALL BODY**

STANDARD INSTALLATION



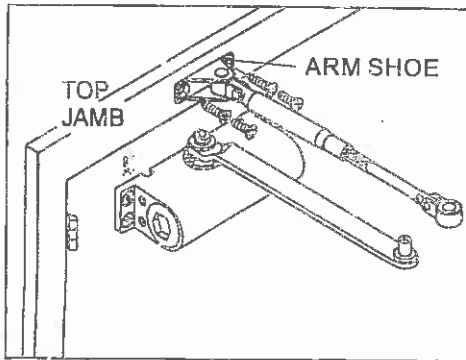
TOP JAMB INSTALLATION



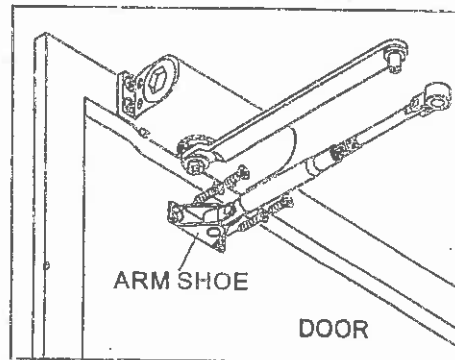
**STANDARD INSTALLATION:** Mount body on door to match the holes then tighten securely with 4 screws.  
**TOP JAMB INSTALLATION:** Mount body on top jamb to match the holes then tighten securely with 4 screws.  
**NOTE:**  
 FOR METAL DOORS  
 1/4-20 MACHINE SCREWS  
 FOR WOOD DOORS  
 NO.12X1" WOOD SCREWS

**8. FIX LINK SHOE**

STANDARD INSTALLATION



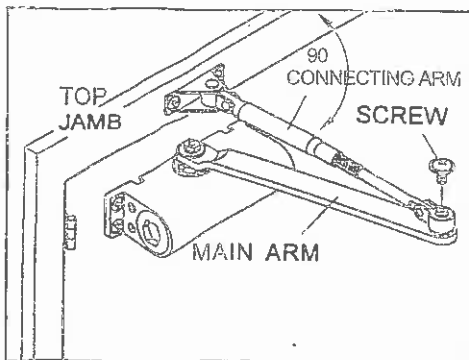
TOP JAMB INSTALLATION



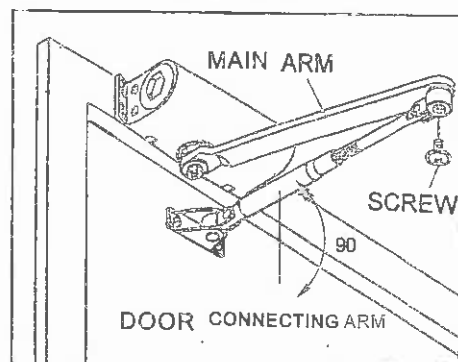
**STANDARD INSTALLATION:** Attach use shoe on top jamb to match the holes and tighten with 2 screws.  
**TOP JAMB INSTALLATION:** Attach arm shoe on door to match the holes and tighten with 2 screws.  
**NOTE:**  
 FOR METAL DOORS  
 1/4-20 MACHINE SCREWS  
 FOR WOOD DOORS  
 NO.12X1" WOOD SCREWS

**8. CONNECT ARM WITH LINK**

STANDARD INSTALLATION



TOP JAMB INSTALLATION



**STANDARD INSTALLATION:** Adjust connecting arm to be 90 to top jamb then connect arm with a locking screw.  
**TOP JAMB INSTALLATION:** Adjust connecting arm to be 90 to door then connect arm with a locking screw.