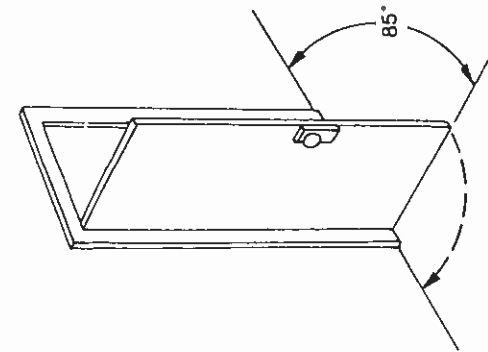


EXPLODED ASSEMBLY AND PARTS LIST

- 1) Body.....1
- 2) Arm.....1
- 3) Back plate.....1
- 4) "P" bracket (or
- 5) "L" bracket.....1
- 6) Body cover 1
- 7) Body/arm connecting screw with lock washer..... 1
- 8) Flat washer..... 1
- 9) Body mounting screw (Machine)..... 4
- 10) Back plate and bracket mounting screws (Self-tapping).....6
- 11) Arm/bracket connecting screw with lock washer1
- 12) Flat washer..... 1



Some door closer has a built in non-adjustable hold open feature. Open door beyond 85°, the door will remain open. Close door to angle less than 85°, the door will close automatically.

