

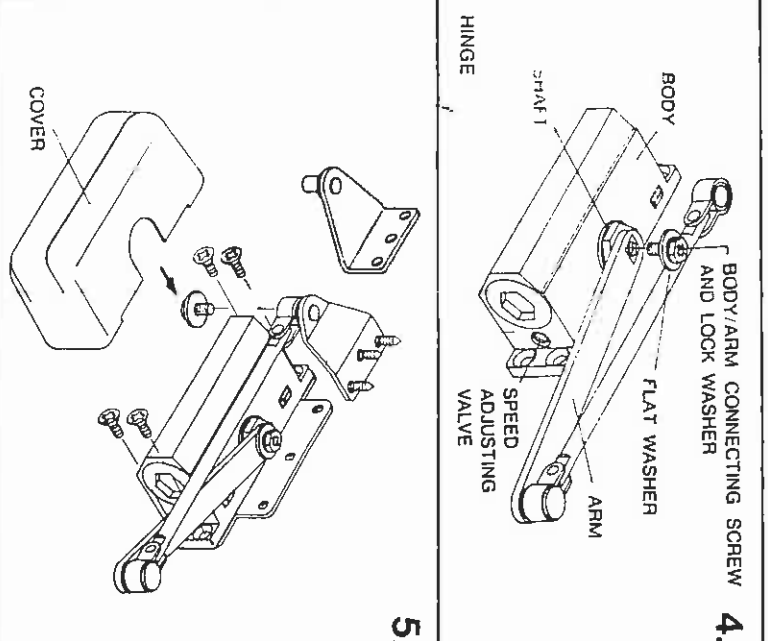
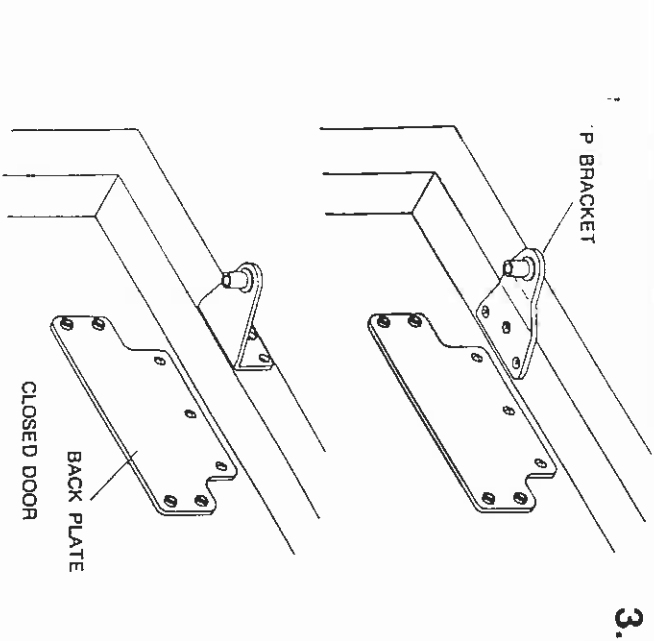
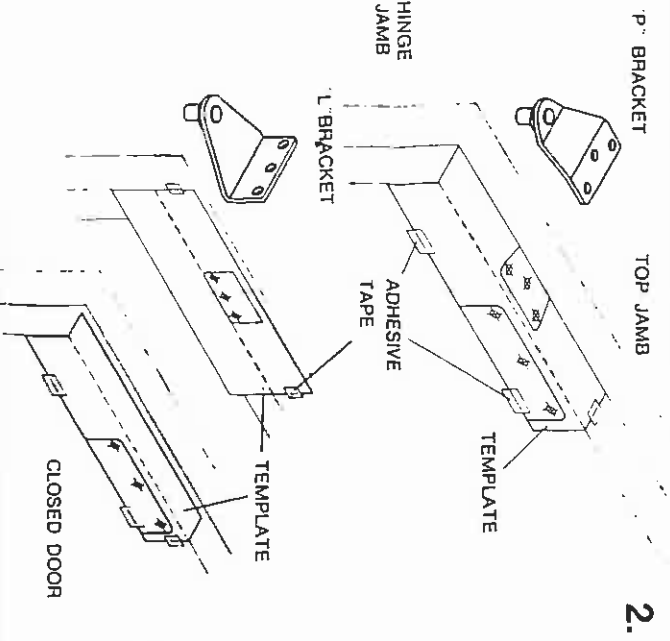
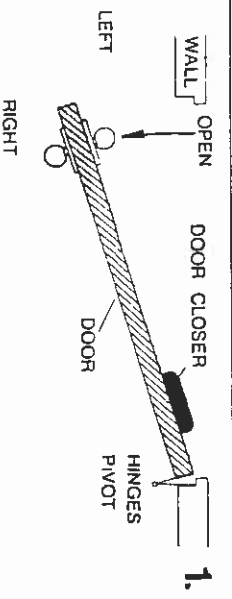
81V DOOR CLOSER INSTALLATION INSTRUCTIONS

• These instructions were prepared to provide you information on how to install your door closer correctly. Please read those instructions carefully before attempting to install your door closer.

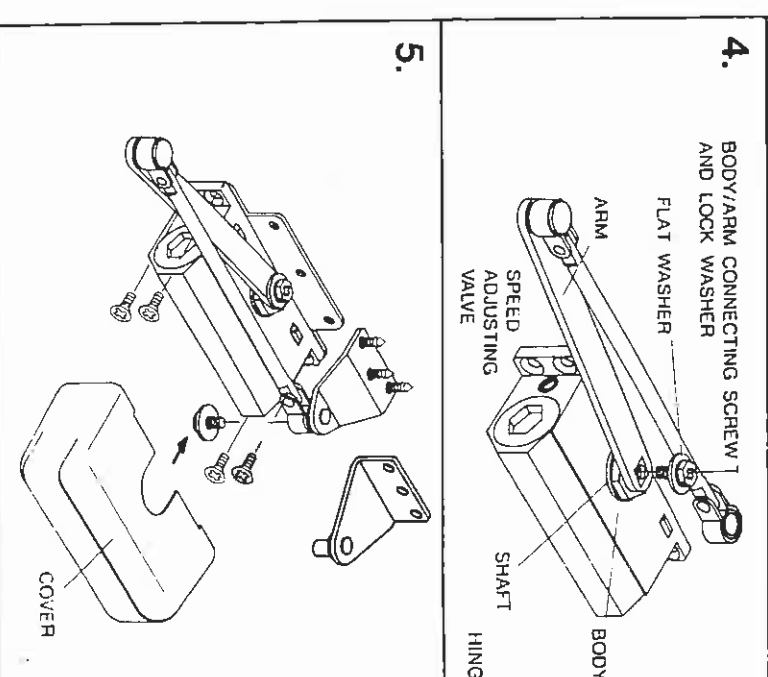
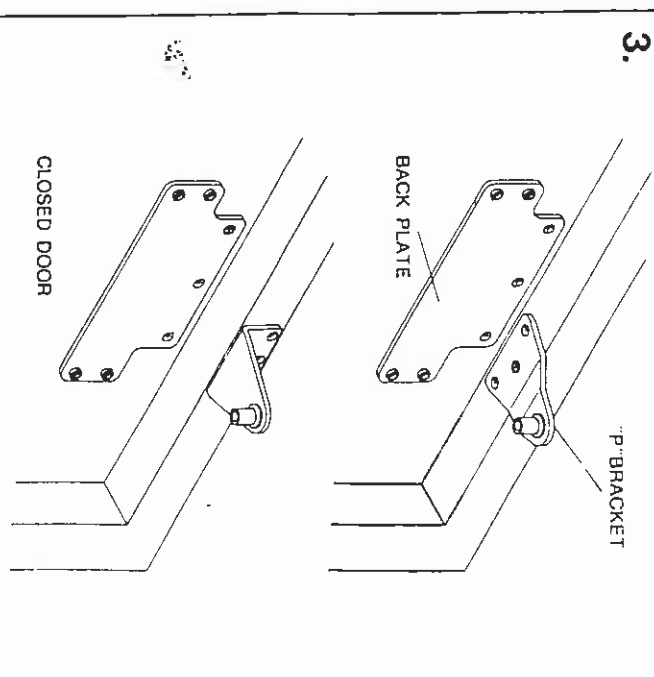
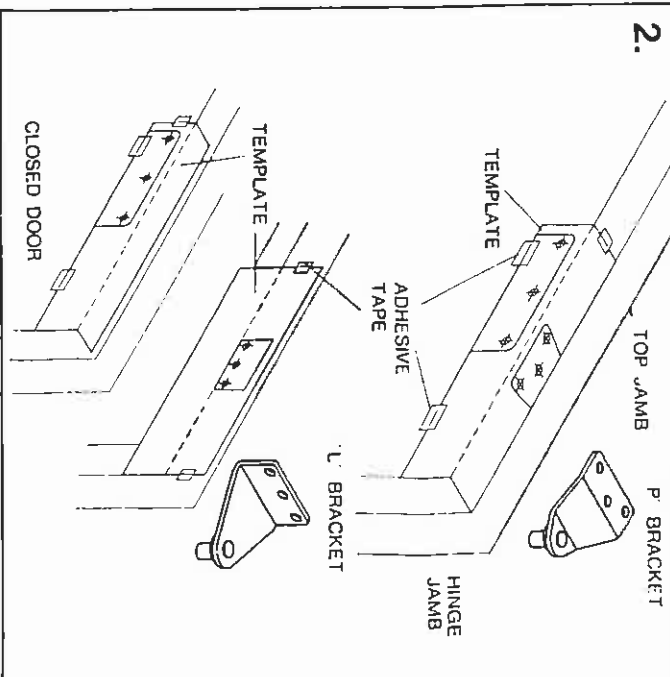
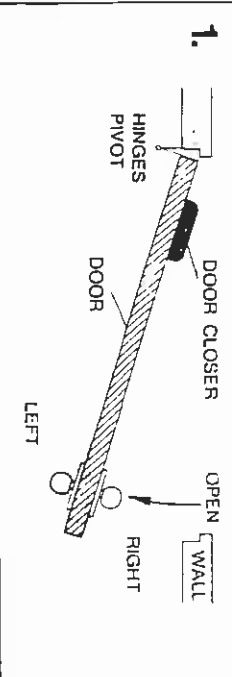
• Before proceeding:

- Check all parts included in package according to part list printed on back page.
- Pull off body cover and disconnect arm from body and bracket.
- Check tools required: Phillips screwdriver, flat blade screwdriver, 3/16" drill bit, hand or electric drill, adjustable wrench, adhesive tape.
- Determine location of door closer. Refer to diagrams below. Closer must be installed on push side.

LEFT HAND INSTALLATION



RIGHT HAND INSTALLATION



1. DETERMINE LOCATION OF DOOR CLOSER

2 MARK DOOR

- Choose template printed on back page, right hand or left hand, 'P' bracket or 'L' bracket.
- Place template on closed door and top jamb. Use adhesive tape to hold template on place.
- Mark screw holes for back plate and bracket.
- Use 3/16" drill bit to drill (6) holes 3/4" deep.

3. INSTALL BACK PLATE AND BRACKET

- Place back plate on door and tighten securely with 3 screws.
- Place bracket on top jamb and tighten with 3 screws securely.

4. ASSEMBLE DOOR CLOSER

- Refer to drawing, left or right hand, to assemble door closer.
- Place square hole of arm on shaft.
- Tighten securely with locking screw and washer.

5. INSTALL DOOR CLOSER

- Mount door closer on back plate and tighten 4 machine screws securely.
- Attach arm to bracket and tighten with washer and machine screw.
- If a faster or slower closing speed is required, use a flat blade screwdriver to turn speed adjusting valve until desired speed is obtained.
- Put cover on closer body.