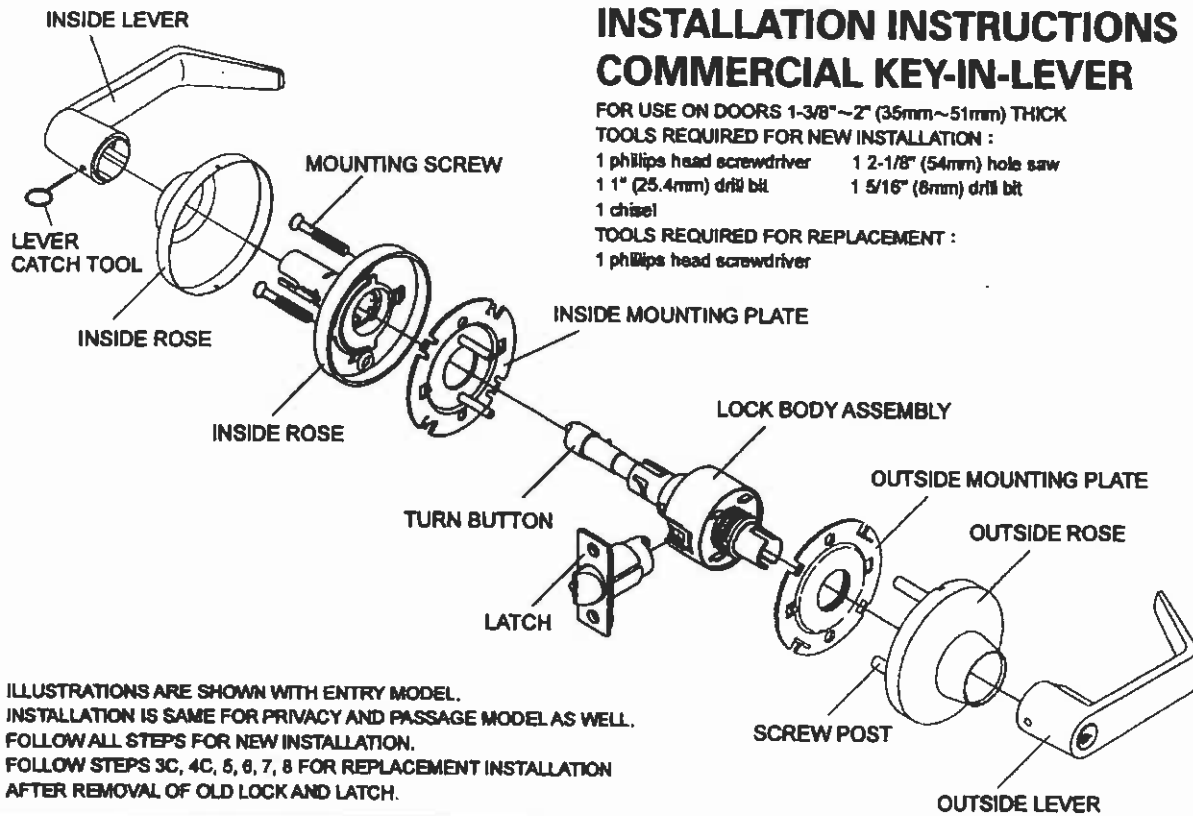


LC1200 SERIES INSTALLATION INSTRUCTIONS

FL1

FL1



INSTALLATION INSTRUCTIONS COMMERCIAL KEY-IN-LEVER

FOR USE ON DOORS 1-3/8"~2" (35mm~51mm) THICK

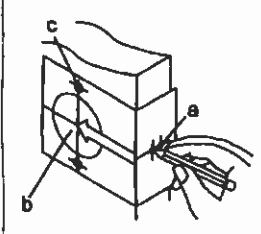
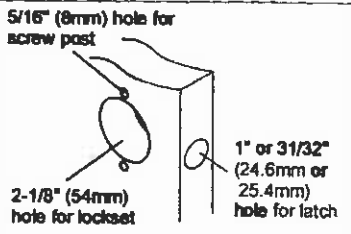
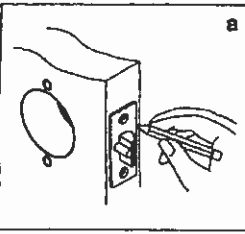
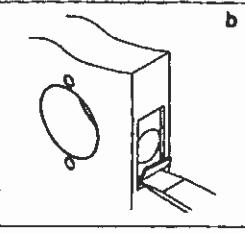
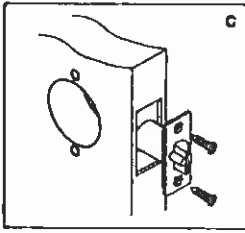
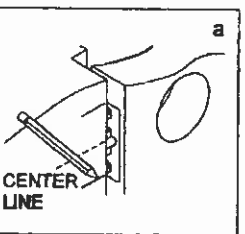
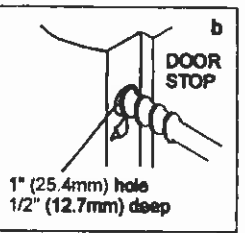
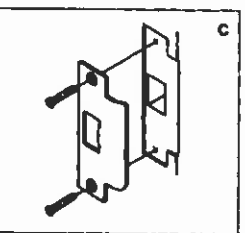
TOOLS REQUIRED FOR NEW INSTALLATION :

- 1 philips head screwdriver
- 1 2-1/8" (54mm) hole saw
- 1 1" (25.4mm) drill bit
- 1 5/16" (8mm) drill bit
- 1 chisel

TOOLS REQUIRED FOR REPLACEMENT :

- 1 philips head screwdriver

ILLUSTRATIONS ARE SHOWN WITH ENTRY MODEL.
INSTALLATION IS SAME FOR PRIVACY AND PASSAGE MODEL AS WELL.
FOLLOW ALL STEPS FOR NEW INSTALLATION.
FOLLOW STEPS 3C, 4C, 5, 6, 7, 8 FOR REPLACEMENT INSTALLATION
AFTER REMOVAL OF OLD LOCK AND LATCH.

<h3>1. MARK DOOR</h3>  <ol style="list-style-type: none"> a. Start 36" from floor and mark center of door edge. b. Select backset 2-3/8" or 2-3/4" and mark hole center on door face. NOTE : BACKSET ON DOOR FACE MUST BE SAME AS BACKSET OF YOUR LOCK. c. Mark two holes for screw post. 	<h3>2. DRILL HOLES</h3>  <p>5/16" (8mm) hole for screw post</p> <p>2-1/8" (54mm) hole for lockset</p> <p>1" or 31/32" (24.6mm or 25.4mm) hole for latch</p> <p>Drill holes as marked.</p> <p>NOTE : DRILL 2-1/8" (54mm) HOLE FROM BOTH SIDES TO AVOID SPLITTING WOOD.</p>
<h3>3. INSTALL LATCH</h3>  <ol style="list-style-type: none"> a. Insert latch in hole and keep it parallel to door face. Mark outline and remove latch. b. Chisel 1/8" (3mm) deep or until faceplate flush with door edge. c. Insert latch and tighten screws. NOTE : LATCHBOLT BEVEL MUST FACE TO CLOSING DIRECTION.  	<h3>4. INSTALL STRIKE</h3>  <ol style="list-style-type: none"> a. Close door to mark horizontal line of strike. b. Measure one half of door thickness from door stop to mark vertical center line of strike. Drill 1" (25.4mm) hole, 1/2" (12.7mm) deep at intersection of horizontal and vertical center lines. c. Cut out jamb 3/32" (2.4mm) deep or until strike flush with jamb. Tighten screws securely.  <p>1" (25.4mm) hole 1/2" (12.7mm) deep</p> 

FL1

FL1

LC1200 SERIES INSTALLATION INSTRUCTIONS

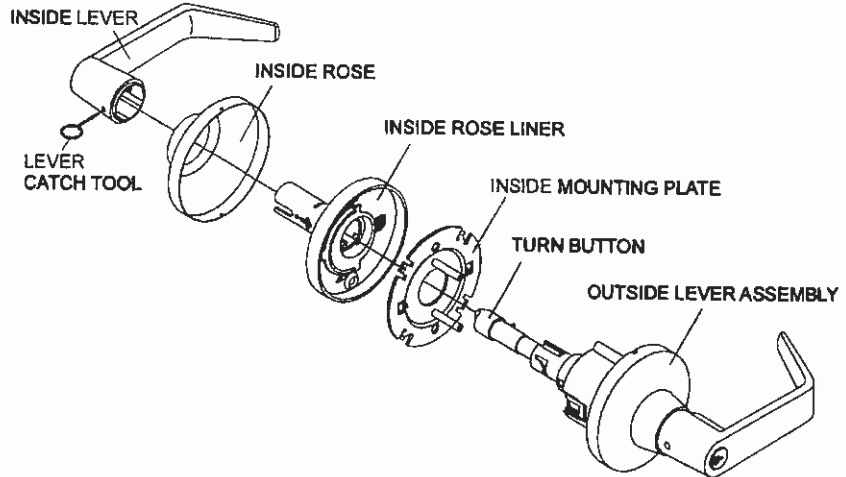
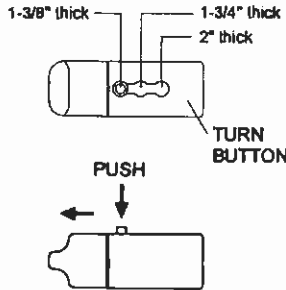
FL1

FL1

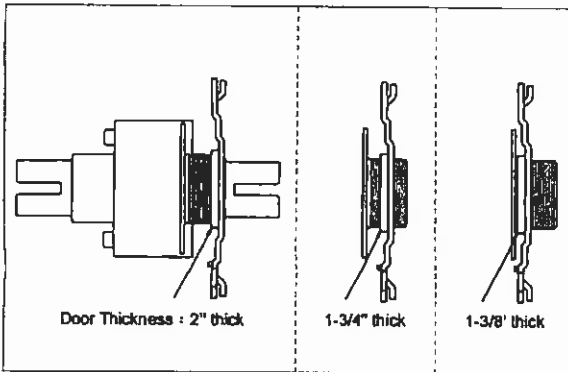
5. REMOVE INSIDE TRIM

Use lever catch tool to depress lever catch visible under hole of inside lever shank and slide off inside lever, rose liner and mounting plate.

ADJUST DOOR THICKNESS

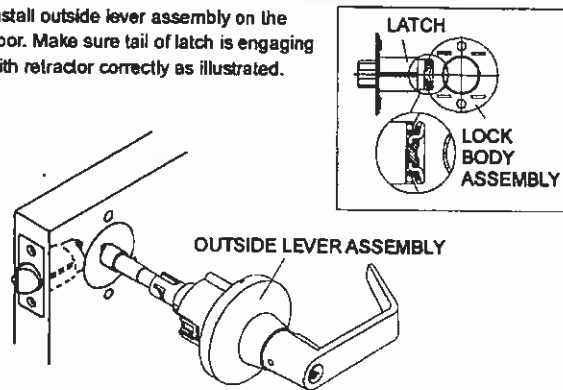


6. ADJUST DOOR THICKNESS



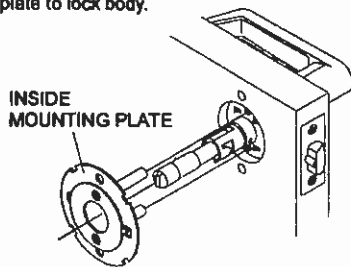
7. INSTALL OUTSIDE LEVER ASSEMBLY

Install outside lever assembly on the door. Make sure tail of latch is engaging with retractor correctly as illustrated.

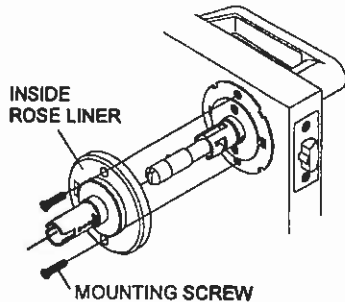


8. INSTALL INSIDE MOUNTING PLATE AND ROSE LINER

a. Install inside mounting plate to lock body.

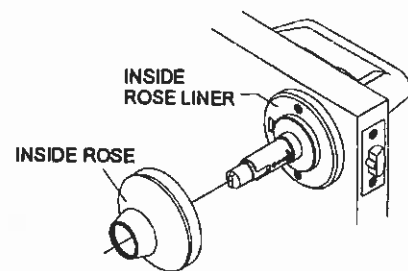


b. Press inside rose liner onto mounting plate and tighten mounting screws securely.

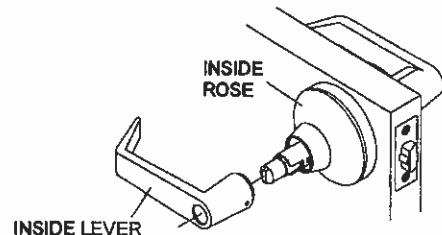


9. INSTALL INSIDE ROSE AND LEVER

a. Be sure to fit rose in recess of rose liner.



b. Depress lever catch with tool provided. Push inside lever on completely until catch engages in lever. Confirm lever is secured.



FL1

FL1