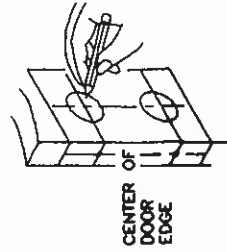


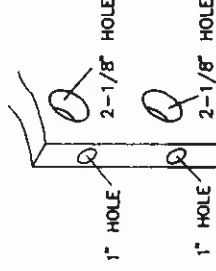
INSTRUCTIONS FOR INSTALLATION OF INTERCONNECTED LOCKS IN NEW DOORS OR THE REPLACEMENT OF EXISTING LOCKS

1. MARK DOOR



Place template on high edge of door bevel, suggested height 38" (965mm) from floor. On door edge, mark centers of 1" (25.4mm) holes for both top latch and bottom latch. Check backset of the lock you are installing, either 2-3/8" or 2-3/4" (60mm or 70mm). On door face, mark centers of 2-1/8" (54mm) hole for top deadbolt and 2-1/8" (54mm) hole for bottom leverset. (Note: Be sure to use correct backset size.)

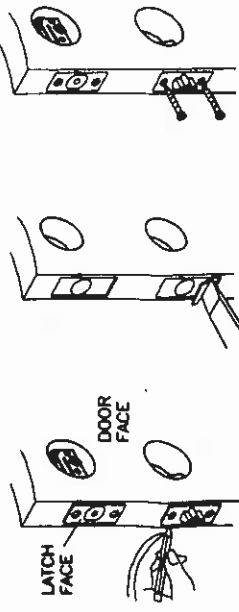
2. DRILL HOLES



Drill 2-1/8" (54mm) hole for top deadbolt and 2-1/8" (54mm) hole for bottom leverset through door face. Suggest to drill holes from both sides of door face to prevent splitting.
Drill two 1" (25.4mm) holes through centers of door edge.

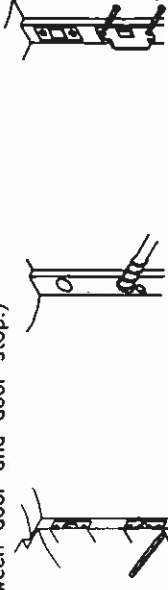
3. INSTALL LATCHES

Insert latches in holes. Latch faces must be parallel to door face. Mark latch face outline on door edge and remove latches. Chisel 1/8" (3mm) deep ar until latch faces are flush with door edge. Insert latches and tighten screws securely.

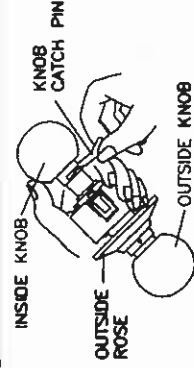


4. INSTALL STRIKES

- Close door until latchbolts touch jamb to locate strike on jamb and center line of strike. Open door and extend line from mark to door stop. Measure one half of door thickness from door stop and vertically mark drill point center for strike.
- Drill two holes 1" (25.4mm) diameter and 1" (25.4mm) deep in door jamb.
- Place strike on jamb, centered over holes, mark outline and chisel 1/16" (1.6mm) deep or until strikes are flush with jamb. Install strikes and tighten screws. (Note: Bottom strike has an adjustable tang can be bent in or out to eliminate loose fit between door and door stop.)

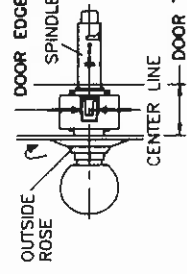


5. REMOVE INSIDE KNOB



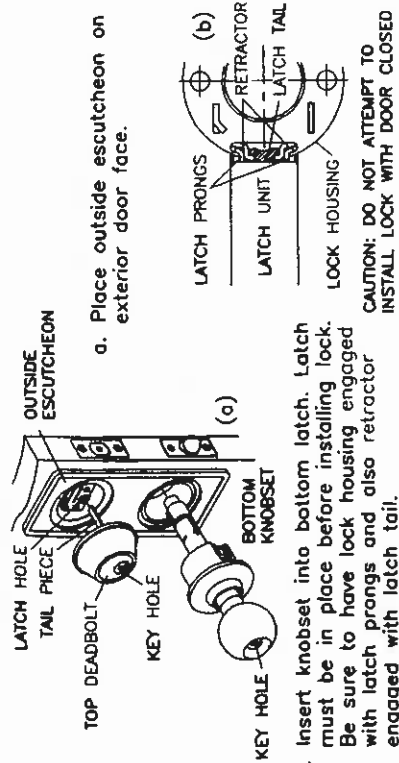
Use knob catch pin to depress knob, catch visible under inside sleeve collar and slide knob off spindle.

6. ADJUST DOOR THICKNESS

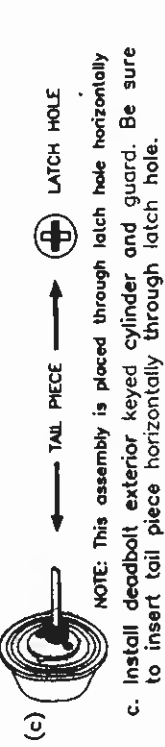


Adjust lock to fit door thickness by rotating outside rose until knob projection on both sides are equal. Lock fits all door thick 1-3/8"~1-3/4" (60mm~70mm).

7. INSTALL LOCK ASSEMBLY



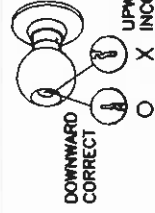
b. Insert knobset into bottom latch. Latch must be in place before installing lock. Be sure to have lock housing engaged with latch prongs and also retractor engaged with latch tail.



NOTE: This assembly is placed through latch hole horizontally to insert tail piece horizontally through latch hole.

c. Install deadbolt exterior keyed cylinder and guard. Be sure to insert tail piece horizontally through latch hole.

8. RIGHT KEY HOLE POSITION



It is different in opening the door to the right and left. Accordingly, upon installation of the cylindrical lock, it may happen that the key hole faces upward or downward as shown in the drawing.

9. IN ORDER TO ADJUST THE ABNORMAL STATE OF THE KEY HOLE FACING UPWARD, FIRST, THE KNOB MUST BE PULLED OUT AND INSTALLED AGAIN. THE METHOD OF INSTALLATION IS DESCRIBED AS BELOW.

- First turn the knob clockwise until the knob catch appears in the small hole.
- With the other hand, turn the key counterclockwise within the limit of 30°~90°.
- Using a small nail to press the knob catch down, pull the knob out.
- Install again according to the correct direction.

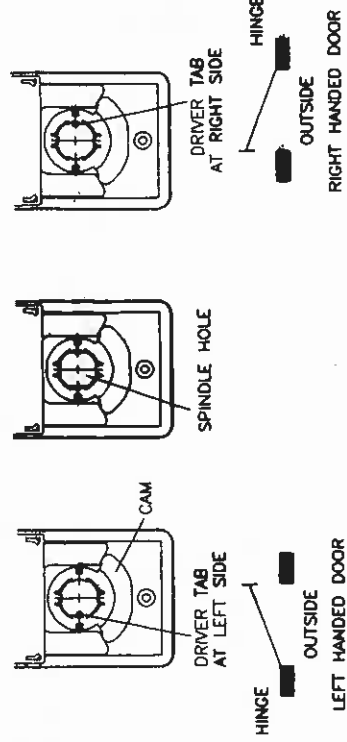


10. CHANGE HAND OF KNOBSET

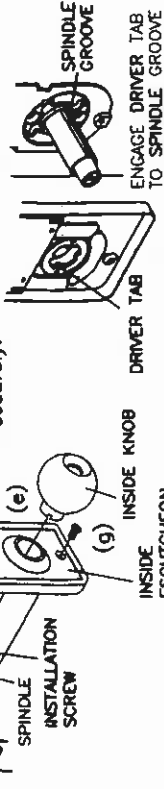
This lock has been assembled at factory for right hand door. See illustration shown below to determine hand of door.

CHANGE HAND OF DRIVER TAB

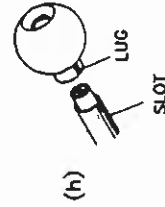
There are 2 driver tabs, one at left side and one at right side, push down driver tab at right side (or left side) will automatically pull out drive tab at left side (or right side). Use correct driver tab to match hand of door.



- Install inside liner, tighten installation screw of knobset and deadbolt.
- Slide inside escutcheon onto spindle of bottom lock so driver tab engages with spindle groove. Change direction of driver tab from left to right or right to left as shown in Step. 10 if necessary.
- Slide tail piece of deadbolt onto turnpiece groove. Tighten 2 screws on inside escutcheon securely.

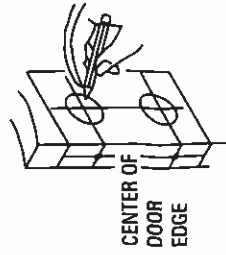


h. Align lug on knob with narrow slot on side of spindle and push knob all the way in until knob catch clicks into knob catch hole.



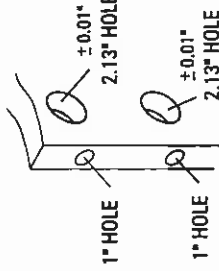
INSTRUCTIONS FOR INSTALLATION OF INTERCONNECTED LOCKS IN NEW DOORS OR THE REPLACEMENT OF EXISTING LOCKS

1. MARK DOOR



Place template on high edge of door bevel, suggested height 38" (965mm) from floor. On door edge, mark centers of 1" (25.4mm) holes for both top latch and bottom latch. Check backset of the lock you are installing, either 2.36" ± 0.02 " or 2.76" ± 0.02 " (60mm ± 0.5 or 70mm ± 0.5). On door face, mark centers of 2.13" ± 0.01 " (54mm ± 0.25) hole for top deadbolt and 2.13" ± 0.01 " (54mm ± 0.25) hole for bottom leverset. (Note: Be sure to use correct backset size.)

2. DRILL HOLES

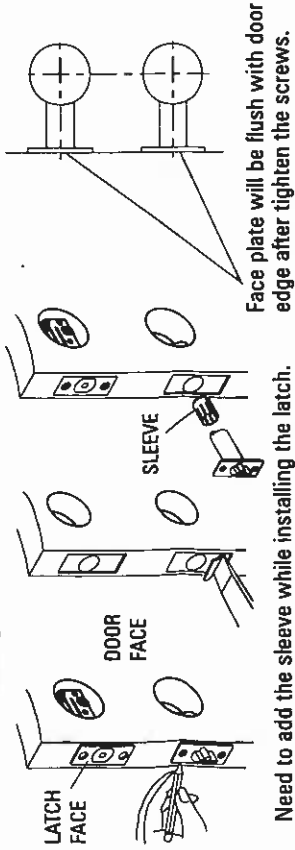


Drill 2.13" ± 0.01 " (54mm ± 0.25) hole for top deadbolt and 2.13" ± 0.01 " (54mm ± 0.25) hole for bottom leverset through door face. Suggest to drill holes from both sides of door face to prevent splitting.

Drill two 1" (25.4mm) holes through centers of door edge.

3. INSTALL LATCHES

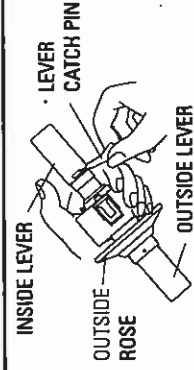
Insert latches in holes. Latch faces must be parallel to door face. Mark latch face outline on door edge and remove latches. Chisel 0.16" ± 0.008 " (4.0mm ± 0.2) deep or until latch faces are flush with door edge. Insert latches and tighten screws securely.



Need to add the sleeve while installing the latch.

Face plate will be flush with door edge after tighten the screws.

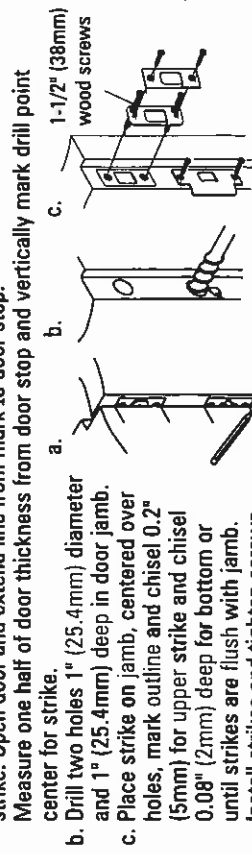
5. REMOVE INSIDE LEVER



Use lever catch pin to depress lever catch visible under inside sleeve collar and slide lever off spindle.

4. INSTALL STRIKES

Close door until latches touch jamb to locate strike on jamb and center line of strike. Open door and extend line from mark to door stop.



Measure one half of door thickness from door stop and vertically mark drill point center for strike.

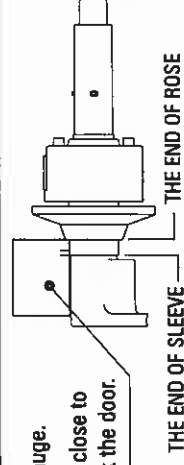
Drill two holes 1" (25.4mm) diameter and 1" (25.4mm) deep in door jamb.

Place strike on jamb, centered over holes, mark outline and chisel 0.2" (5mm) for upper strike and chisel 0.08" (2mm) deep for bottom or until strikes are flush with jamb. Install strikes and tighten screws. Please be noted that for upper strike the long wood screws should install in advance as shown above.

(Note: Bottom strike has an adjustable tang can be bent in or out to eliminate loose fit between door and door stop.)

6. ADJUST DOOR THICKNESS

Adjust door thickness by the scale gauge. The scale gauge should be used to close to lever to measure the thickness if fit the door.

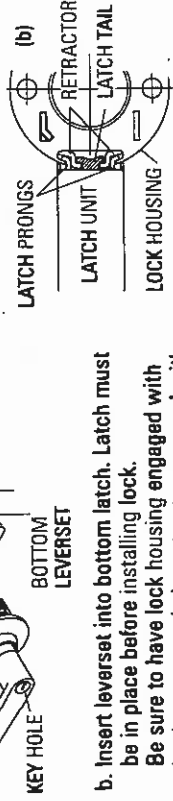


7. INSTALL LOCK ASSEMBLY

(a) LATCH HOLE TAIL PIECE OUTSIDE ESCUTCHEON

a. Place outside escutcheon on exterior door face.

WARNING: TO AVOID UNINTERCONNECTION BETWEEN DEADBOLT AND CYLINDRICAL LOCK, MAKE SURE THAT THE LATCH BOLT OF THE UPPER DEADBOLT IS NOT PROJECTING PRIOR TO INSERTING THE TAIL PIECE INTO THE LATCH HOLE HORIZONTALLY.



b. Insert leverset into bottom latch. Latch must be in place before installing lock. Be sure to have lock housing engaged with latch prongs and also retracter engaged with latch tail.



c. Install deadbolt exterior keyed cylinder and guard. Be sure to insert tail piece horizontally through latch hole.

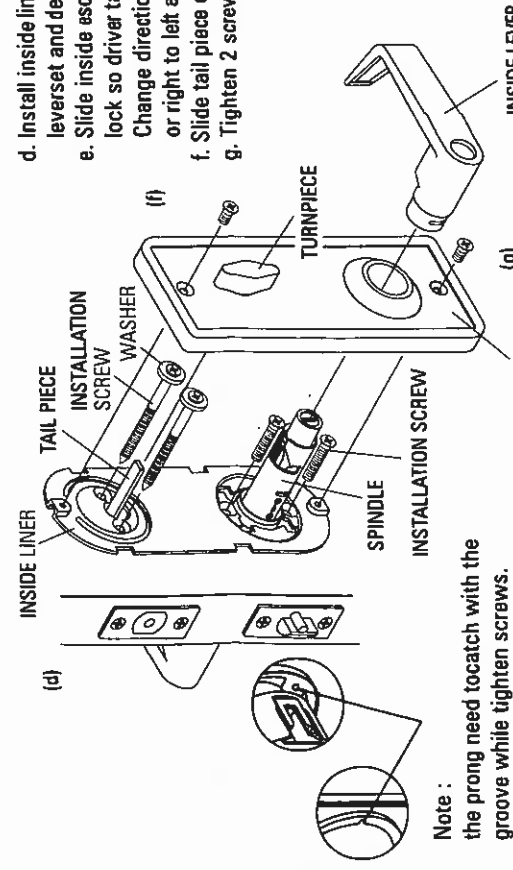
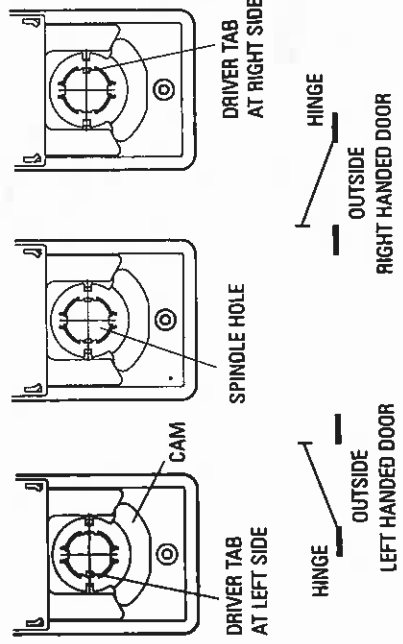
NOTE: This assembly is placed through latch hole horizontally

8. CHANGE HAND OF LEVERSET

This lock has been assembled at factory for right hand door. See illustration shown below to determine hand of door.

CHANGE HAND OF DRIVER TAB

There are 2 driver tabs, one at left side and one at right side, push down driver tab at right side (or left side) will automatically pull out drive tab at left side (or right side). Use correct driver tab to match hand of door.



Note: the prong need to catch with the groove while tighten screws.

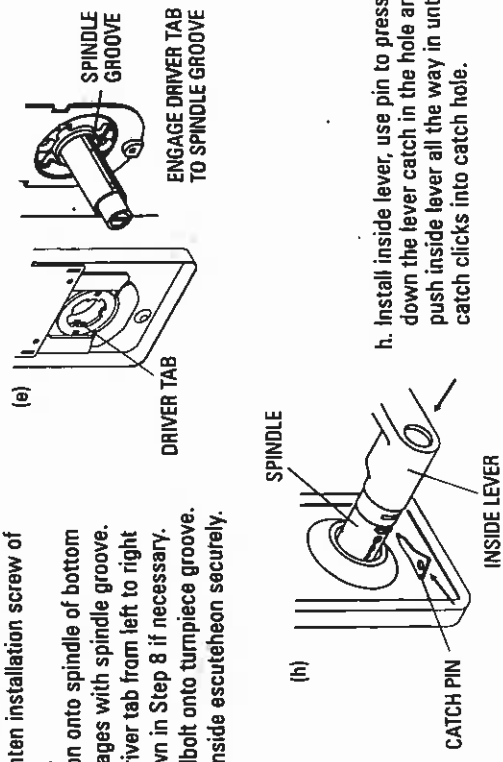
d. Install inside liner, tighten installation screw of leverset and deadbolt.

e. Slide inside escutcheon onto spindle of bottom lock so driver tab engages with spindle groove.

Change direction of driver tab from left to right or right to left as shown in Step 8 if necessary.

f. Slide tail piece of deadbolt onto turnpiece groove.

g. Tighten 2 screws on inside escutcheon securely.



h. Install inside lever, use pin to press down the lever catch in the hole and push inside lever all the way in until catch clicks into catch hole.