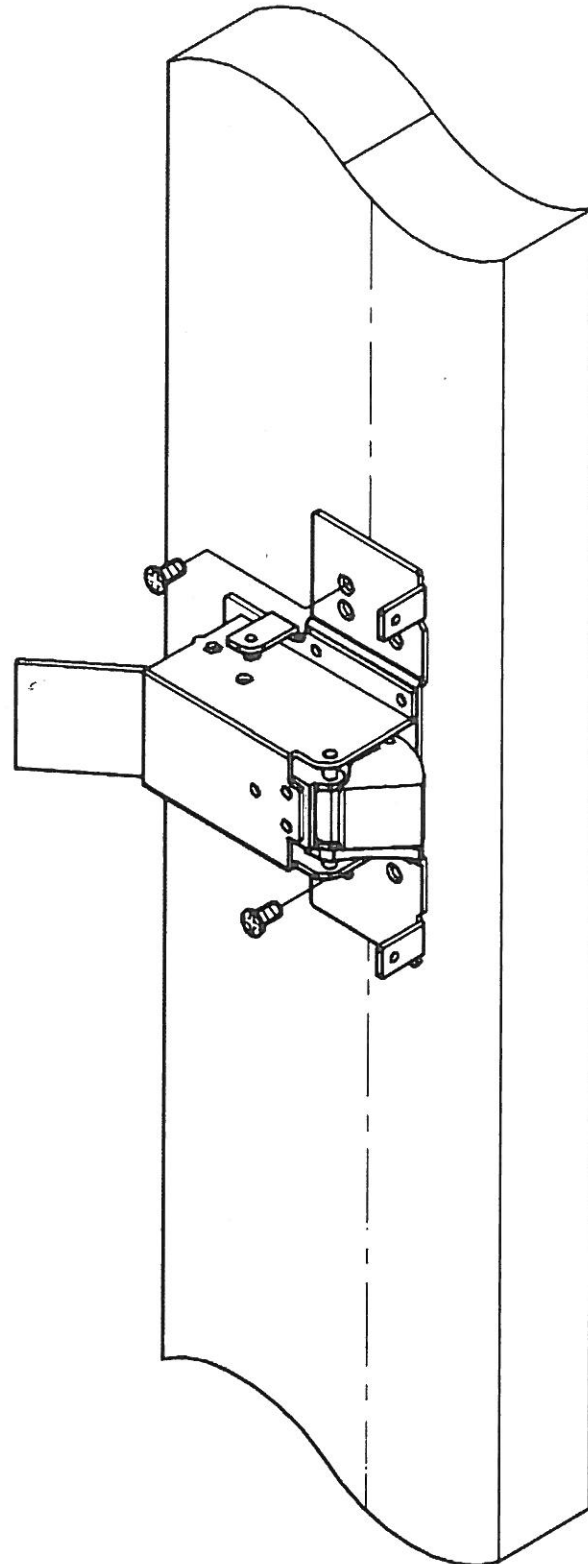
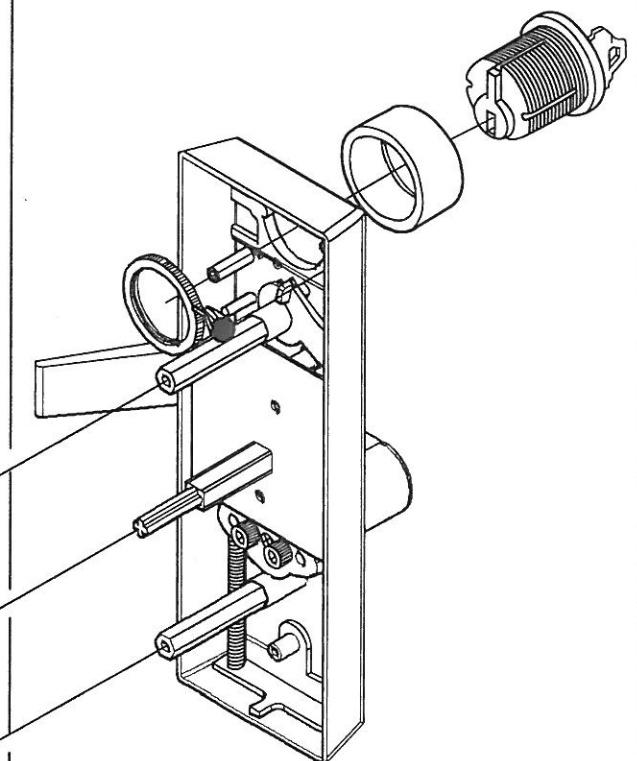
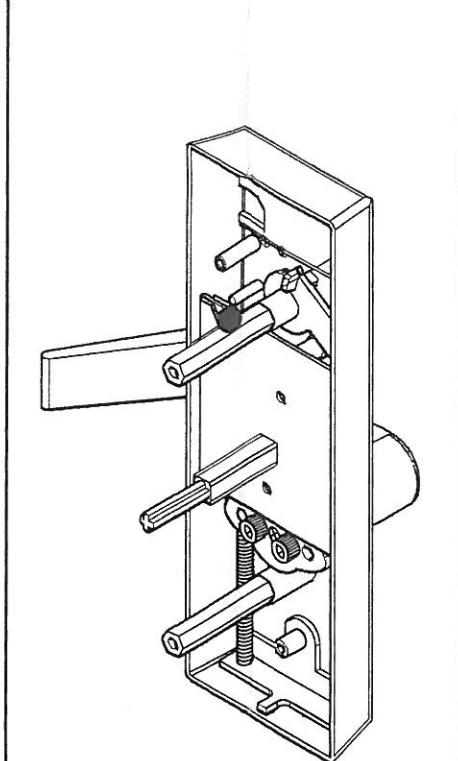
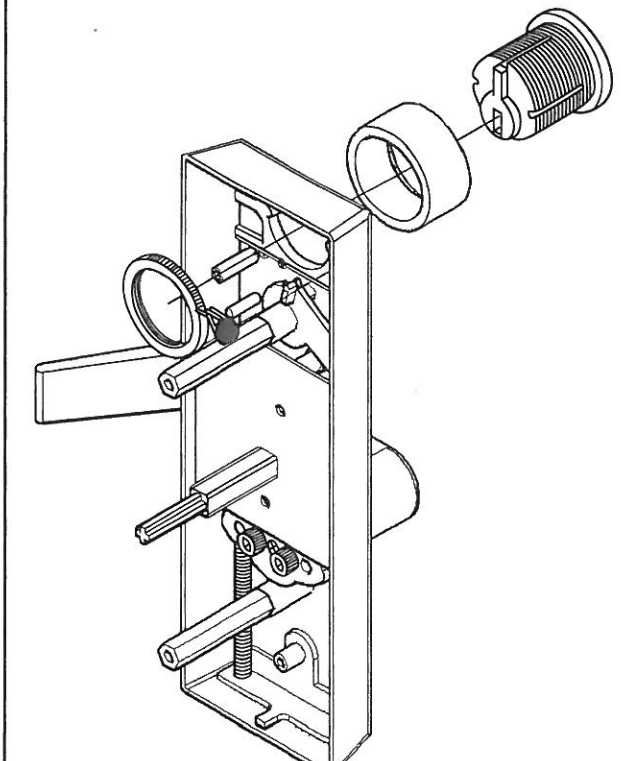
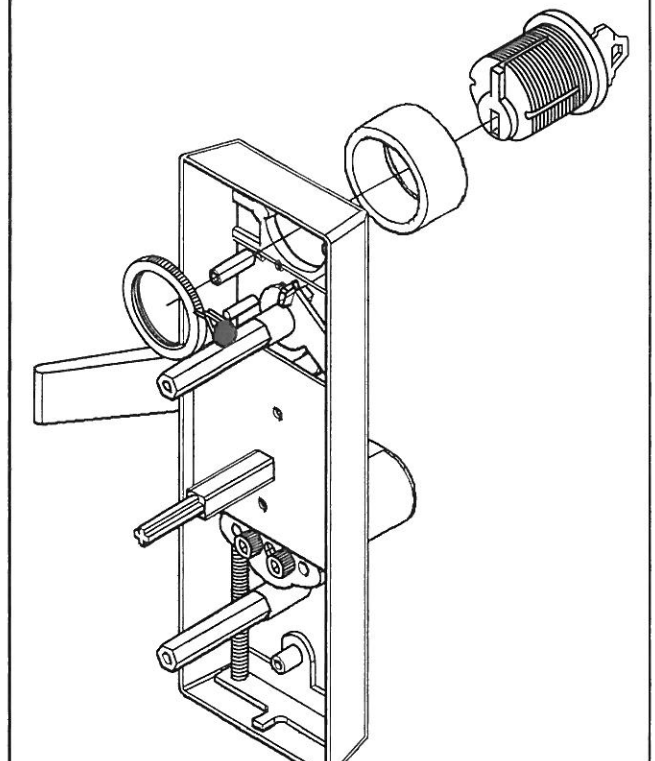


INSTRUCTIONS FOR ESC SERIES ESCUTCHEON LEVER TRIM

Series Rim and Vertical Rod Exit Device

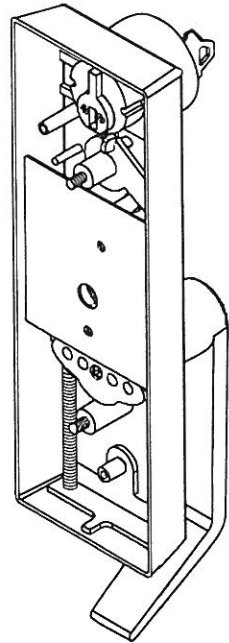


			
<p>Lockable Escutcheon lever trim. Key locks and unlocks lever</p>	<p>No Cylinder, Trim always operable</p>	<p>Pull trim only Used with dogged down device</p>	<p>Key unlocks Escutcheon Lever</p>
<p>13 function Entrance</p>	<p>15 function Passage</p>	<p>10 function Dummy</p>	<p>04 function Storeroom</p>
<p>Attach the collar and mortise cyl to the esc case with mortise nut, attach case to door trubolting(4) screws to the chasis, aligning spindle to hub</p>	<p>Attach Esc case to door trubolting the (4) screws to the chasis, aligning spindle to hub of the Chasis</p>	<p>Attach the collar and dummy cyl to the esc case with mortise nut, attach case to door trubolting(4) screws to the chasis</p>	<p>Attach the collar and mortise cyl to the esc case with mortise nut, attach case to door trubolting(4) screws to the chasis, aligning spindle to hub</p>

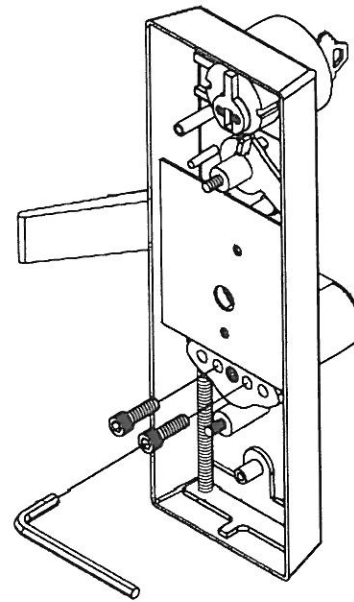
ESCUTCHEON Lever Trim

Instructions for changing hand of lever RHR (Reverse Steps for LHR)

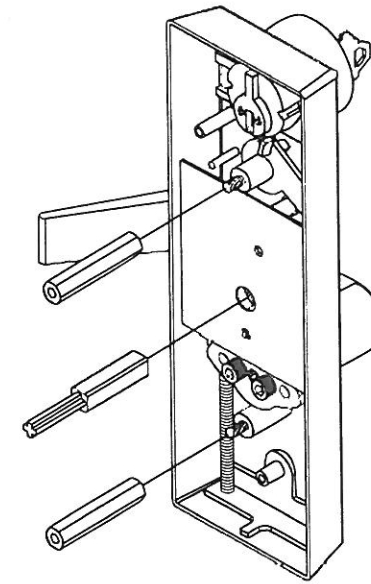
1. Lever trim shipped with lever in the neutral (non-handed) position.



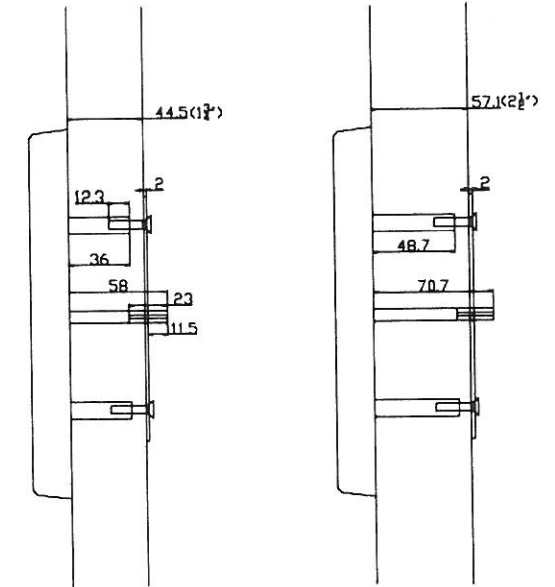
2. Rotate lever to desired hand. Insert (2) lever handing screws. Tighten with supplied allen key wrench.



3. Attach and tighten thru-bolts to existing threaded studs. Insert device drive spindle.



※ Trim supplied for 1-3/4" thick door. Thru-bolts and drive spindle must be changed for thicker doors.



※ **CYL spring:**
Install cylinder per instructions. Install cylinder spring to capture cylinder and cylinder retaining nut.

