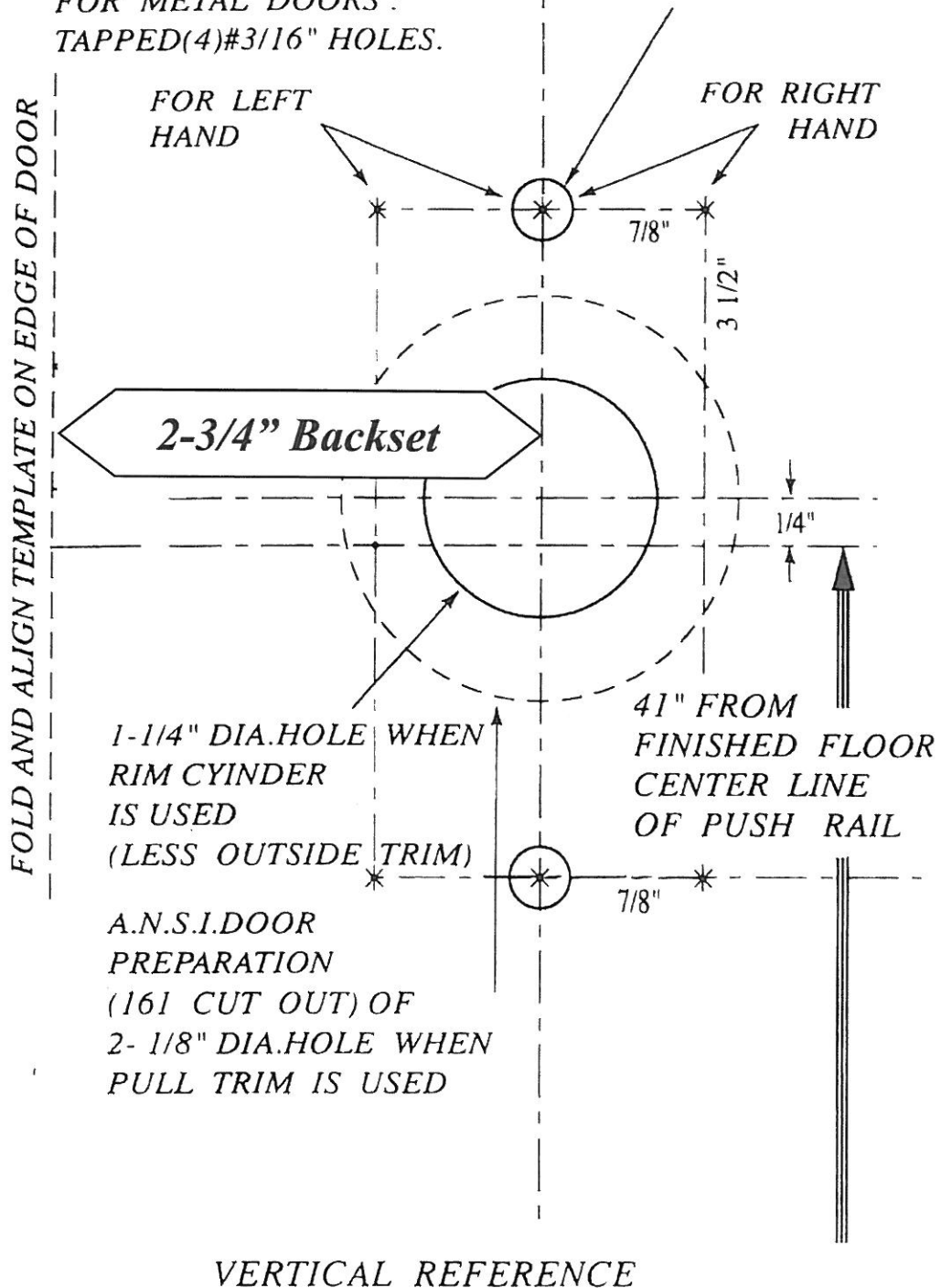


TEMPLATE for 8300 and 8400 Series Exit Device

Page 1 of 2

FOR WOOD DOORS :
DRILL(4) 3/32" DIA.X 1-1/4"
DEEP PILOT HOLES
FOR METAL DOORS :
TAPPED(4)#3/16" HOLES.

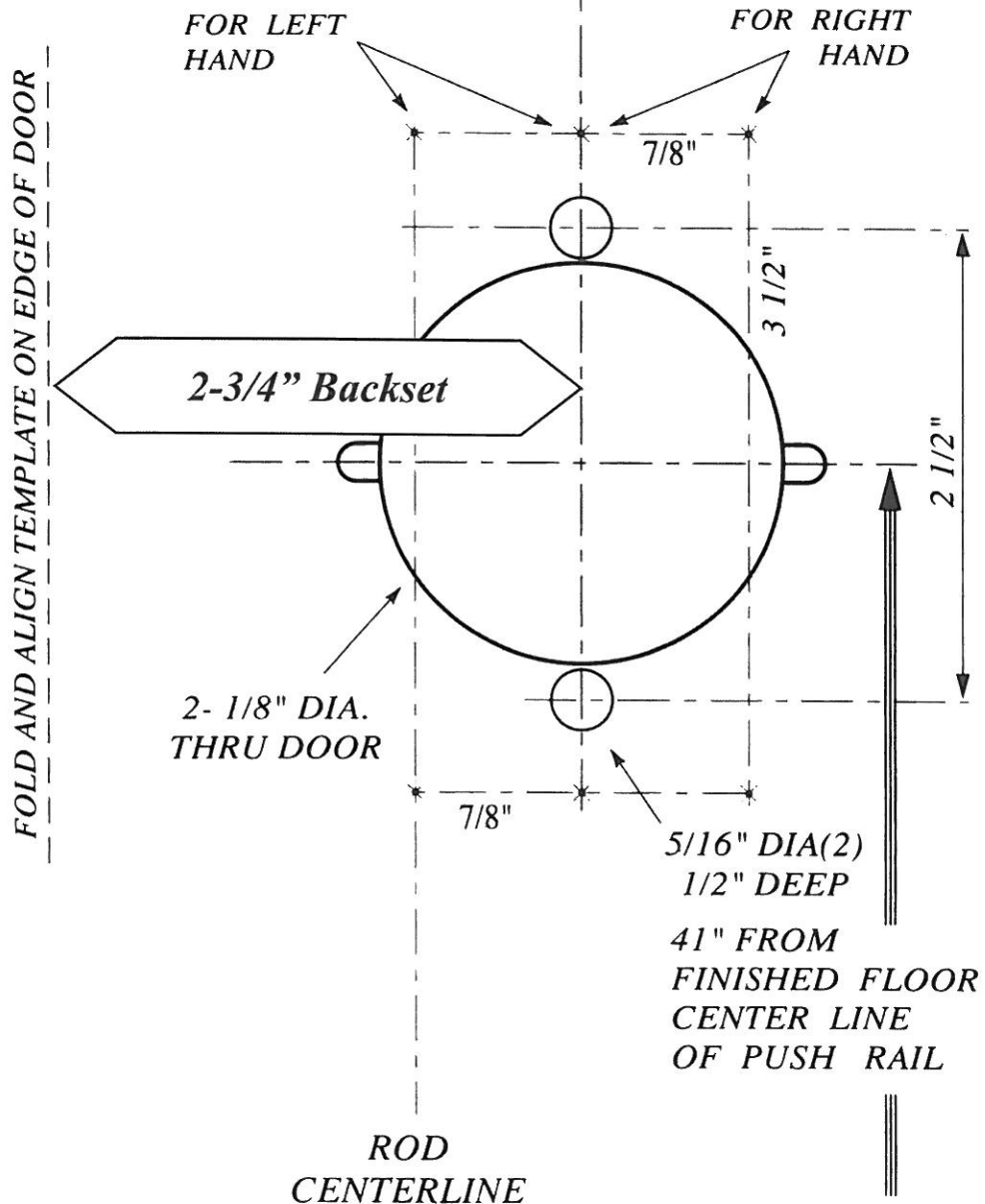
FOR THRU-BOLTING:
DRILL(2)3/8" DIA.HOLES
THRU DOOR



TEMPLATE for 8300 and 8400 Series Exit Device

Page 2 of 2

FOR WOOD DOORS :
DRILL(4) 3/32" DIA.X 1-1/4"
DEEP PILOT HOLES
FOR METAL DOORS :
TAPPED(4)#3/16" HOLES.



① FOR REFERENCE LINES REFER TO INSTRUCTION SHEET