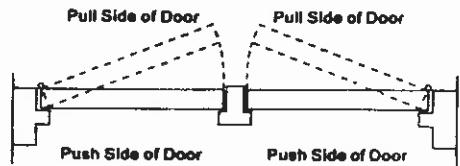


INSTALLATION INSTRUCTIONS

SUPER ADJUSTABLE
Adjustable Closing Power
No Hold-Open
SURFACE MOUNTED

STANDARD INSTALLATION (ON PULL SIDE MOUNTING)

DOOR SELECTION

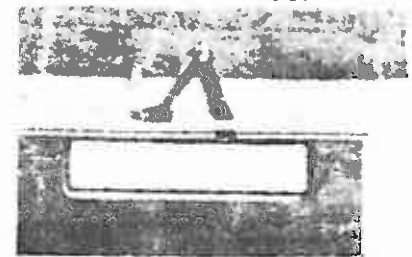


THIS IS A LEFT HAND DOOR THIS IS A RIGHT HAND DOOR

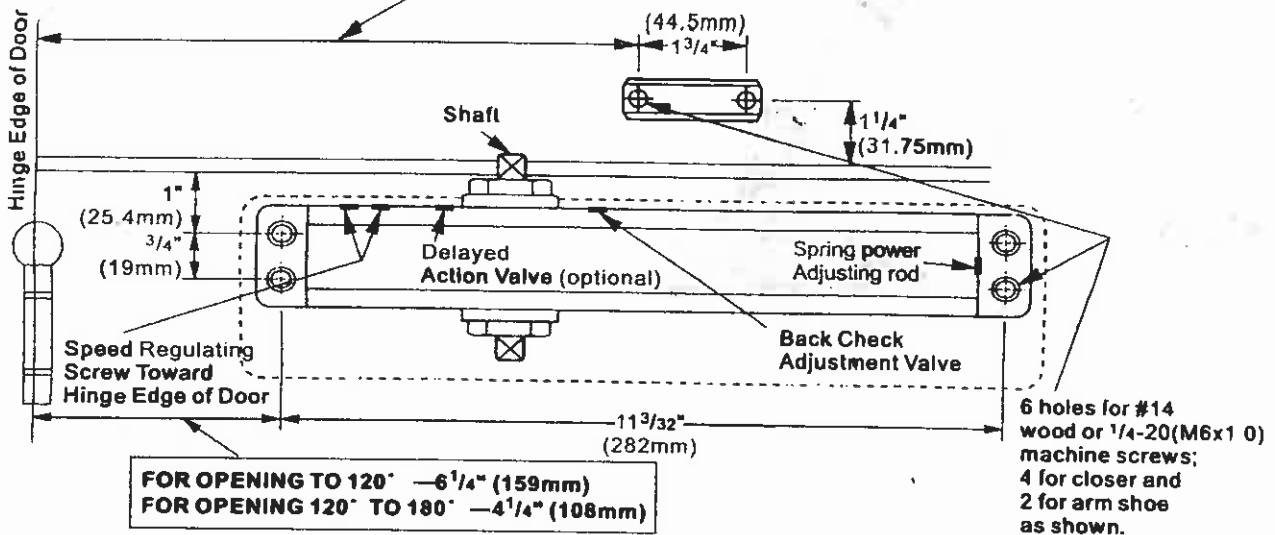
Right hand door



Left hand door



FOR OPENING TO 120° — 12" (305mm)
FOR OPENING 120° TO 180° — 10" (254mm)

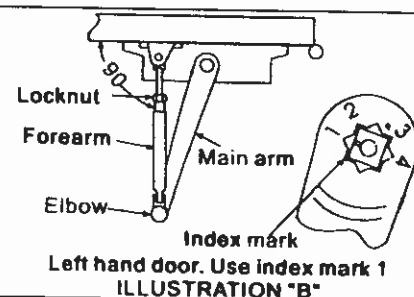
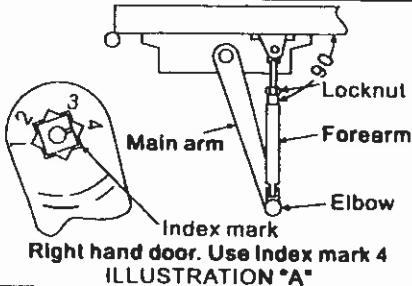


FOR OPENING TO 120° — 6 1/4" (159mm)
FOR OPENING 120° TO 180° — 4 1/4" (108mm)

INSTALLATION INSTRUCTIONS

1. Select degree of opening and use dimensions shown in above template to mark four holes on door for closer and two holes on frame for arm shoe.
2. Drill pilot holes in door and frame for #14 wood screws or drill and tap for 1/4-20 (M6x1.0) machine screws.
3. Mount closer on door WITH SPEED REGULATING SCREW TOWARD HINGE EDGE.
4. Place main arm on shaft on top of closer at proper index mark as illustrated. FOR RIGHT HAND DOOR No. 4 (illustration "A") FOR LEFT HAND DOOR No. 1 (illustration "B"). Tighten arm screw with lockwasher securely.
5. Attach the arm shoe of the forearm to the frame.
6. Adjust length of forearm so when it is attached to main arm it will be at a right angle (90°)to door when door is closed and assemble at elbow then tighten locknut.

POSITION OF ARMS AND INDEX SETTINGS

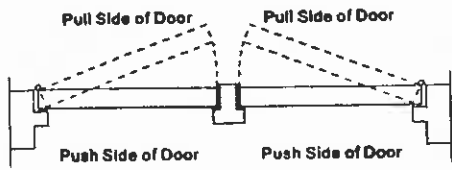


INSTALLATION INSTRUCTIONS

Adjustable Closing Power
No Hold-Open
SURFACE MOUNTED

TOP JAMB INSTALLATION (ON PUSH SIDE MOUNTING)

DOOR SELECTION

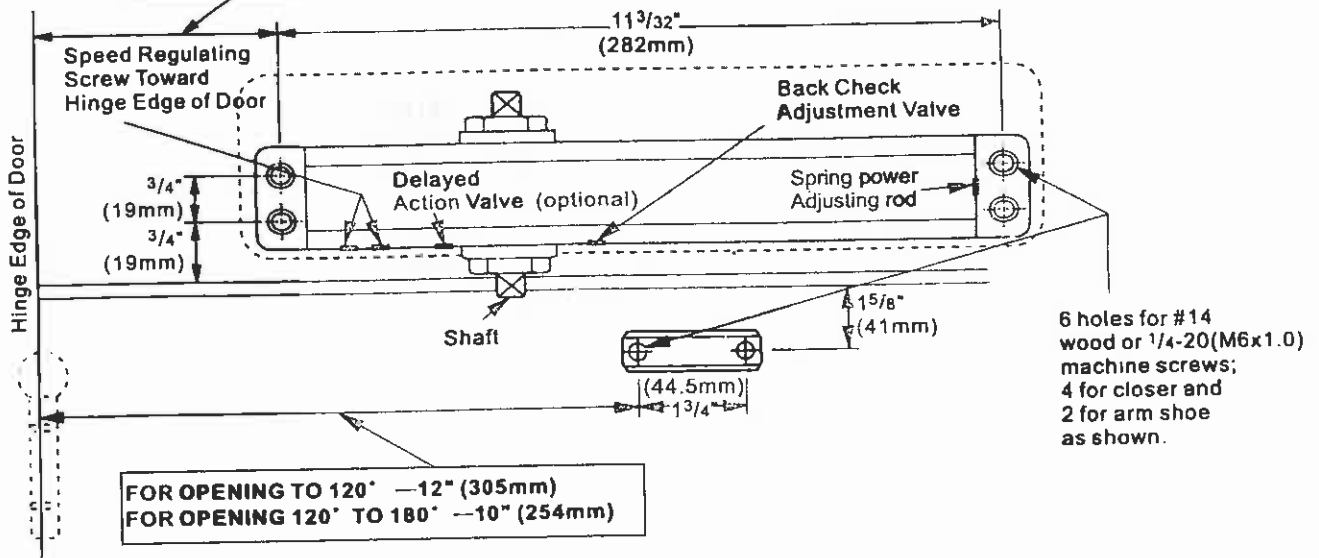


THIS IS A LEFT HAND DOOR THIS IS A RIGHT HAND DOOR

Right hand door

Left hand door

FOR OPENING TO 120° — 6 1/4" (159mm)
FOR OPENING 120° TO 180° — 4 1/4" (108mm)

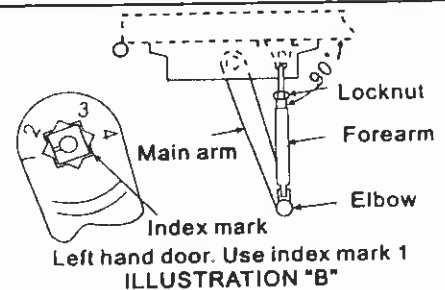
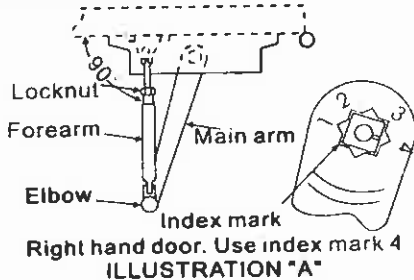


FOR OPENING TO 120° — 12" (305mm)
FOR OPENING 120° TO 180° — 10" (254mm)

INSTALLATION INSTRUCTIONS

1. Select degree of opening and use dimensions shown in above template to mark four holes on door for closer and two holes on frame for arm shoe.
2. Drill pilot holes in door and frame for #14 wood screws or drill and tap for 1/4-20(M6x1.0) machine screws.
3. Mount closer on door WITH SPEED REGULATING SCREW TOWARD HINGE EDGE
4. Place main arm on shaft on top of closer at proper index mark as illustrated. FOR RIGHT HAND DOOR No. 4 (Illustration "A") FOR LEFT HAND DOOR No. 1 (Illustration "B"). Tighten arm screw with lockwasher securely.
5. Attach the arm shoe of the forearm to the frame
6. Adjust length of forearm so when it is attached to main arm it will be at a right angle (90°) to door when door is closed and assemble at elbow then tighten locknut.

POSITION OF ARMS AND INDEX SETTINGS

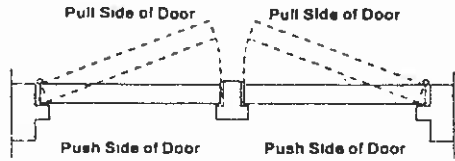


INSTALLATION INSTRUCTIONS

Adjustable Closing Power
No Hold-Open
SURFACE MOUNTED

PARALLEL INSTALLATION (ON PUSH SIDE MOUNTING)

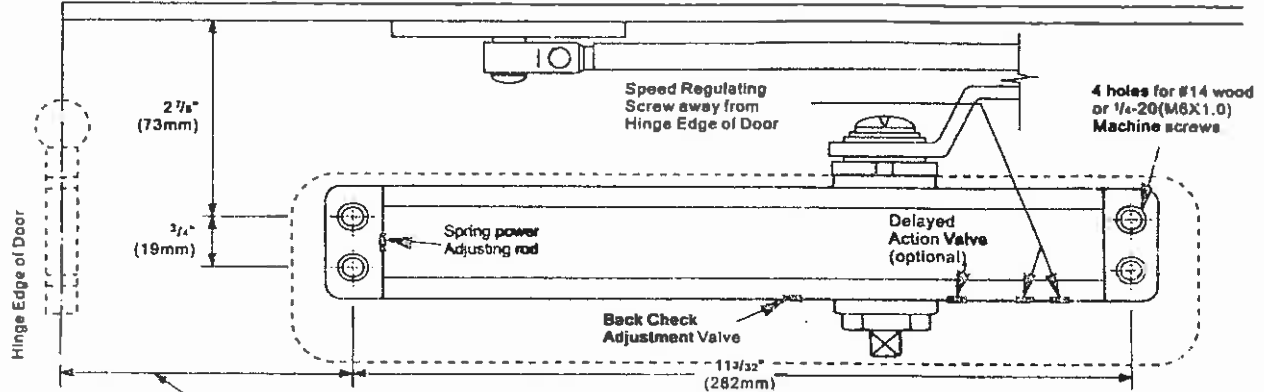
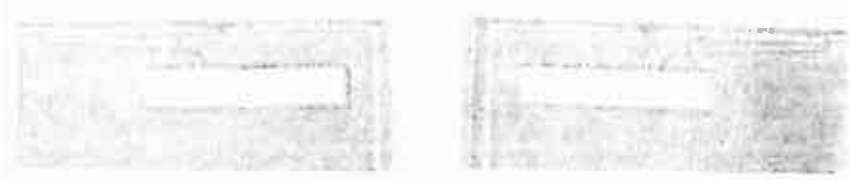
DOOR SELECTION



THIS IS A LEFT HAND DOOR THIS IS A RIGHT HAND DOOR

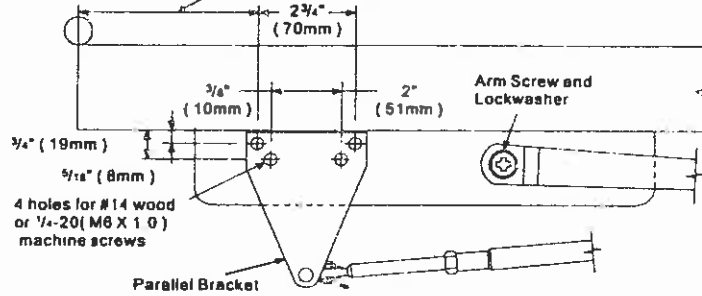
Right hand door

Left hand door



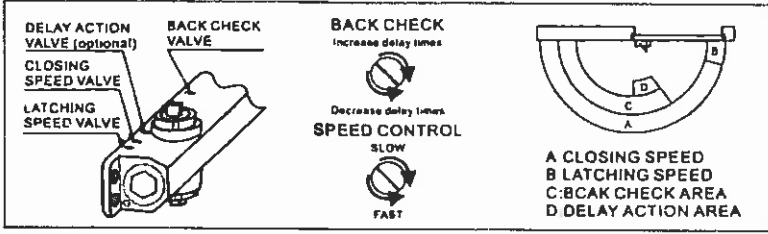
FOR OPENING TO 110° — 5" (127mm)
FOR OPENING 110° TO 180° — 2" (50mm)

FOR OPENING TO 110° — 2 7/16" (250mm)
FOR OPENING 110° TO 180° — 5 1/4" (150mm)

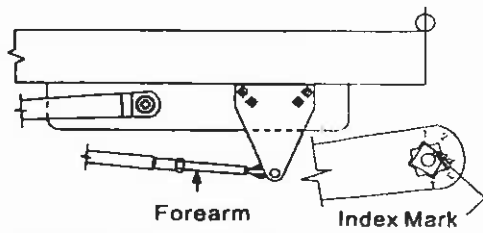


INSTALLATION INSTRUCTIONS

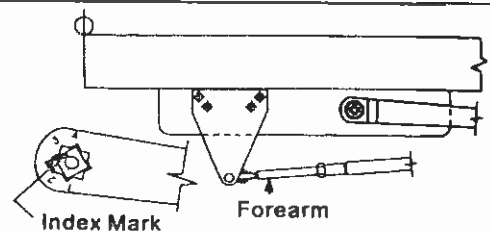
1. Select degree of opening and use dimensions shown in above template to mark four holes on door for closer and four holes on frame for Parallel Bracket
2. Drill pilot holes in door and frame for #14 wood screws or drill and tap for 1/4-20(M6x1.0) machine screws.
3. Mount closer on door WITH SPRING POWER ADJUSTING NUT HINGE EDGE.
4. Place main arm on shaft on top of closer at proper index mark as illustrated. FOR RIGHT HAND DOOR No. 2 (illustration "A") FOR LEFT HAND DOOR No. 3 (illustration "B"). Tighten arm screw with lockwasher securely.
5. Attach the arm shoe of the forearm to the frame.
6. Adjust length of forearm so when it is attached to main arm it will be at a right angle (90°) to door when door is closed and assemble at elbow then tighten locknut
7. Fasten forearm to pa plate using screw removed from foot in step 4 and pa shoe washer included in screw pack.
8. Adjust forearm length to set arm elbow about 1-1/2" (38mm) from door when connected to main arm. Use washer and screw provided to secure pivot connection. Tighten locknut
9. Snap pinion cap over spindle at bottom.
10. Adjust closer



POSITION OF ARMS AND INDEX SETTINGS



Right hand door, use index mark 2
ILLUSTRATION "A"



Left hand door, use index mark 3
ILLUSTRATION "B"

CLOSER BODY FUNCTION ADJUSTMENT INSTRUCTIONS

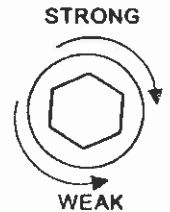
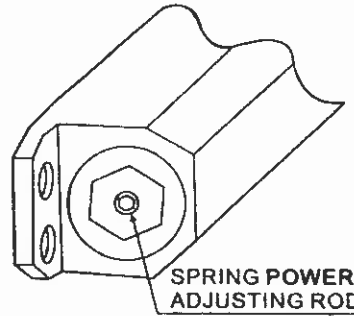
ADJUSTMENT INSTRUCTIONS

SPRING POWER — As per "Spring Tension Chart" select the correct number of turns for spring adjustment nut that corresponds with the installation. Using $5/32"$ (4mm) allen key, turn adjustment nut full 360° clockwise turns to desired setting.

SPEED — Door closing and latching speeds are controlled by #1, #2 speed regulating screw separately.
A. Clockwise turns slow the speed. **B.** Counterclockwise turns increase the speed.

SPRING POWER/DOOR SIZE CHART *

STANDARD/TOP JAMB INSTALLATION (Size 2-6)			
FULL TURNS OF SPRING ADJUSTMENT SCREW	MAXIMUM DOOR WIDTH		
	Interior door width	Exterior door width	
		Swing out	Swing in
-4	8 1/2 Pound opening force		
0	32"(813)	28"(711)	24"(610)
+4	36"(914)	32"(813)	28"(711)
+8	42"(1067)	36"(914)	32"(813)
+13	48"(1219)	42"(1067)	36"(914)
STANDARD/TOP JAMB INSTALLATION (Size 1-4)			
FULL TURNS OF SPRING ADJUSTMENT SCREW	MAXIMUM DOOR WIDTH		
	Interior door width	Exterior door width	
		Swing out	Swing in
-3	5 Pound opening force		
0	32"(813)	28"(711)	24"(610)
+2	36"(914)	32"(813)	28"(711)
+10	42"(1067)	36"(914)	32"(813)
+12	MAXIMUM TURNS		



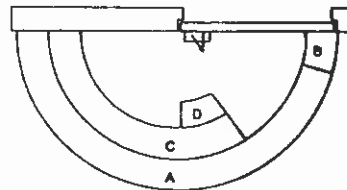
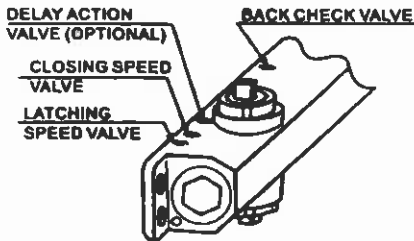
SPRING POWER ADJUSTMENT — is controlled by the Hex Socket Spring Adjustment rod.

Power is now set at "0" turns.

To **INCREASE**, use a $5/32"$ Allen key and turn **CLOCKWISE**

"full" 360° turns as per the spring power/Door Size Chart above.

※ Then parallel installation : Each closing power size reduce one Size power



A: CLOSING SPEED
 B: LATCHING SPEED
 C: BACK CHECK AREA
 D: DELAY ACTION AREA (OPTIONAL)

SPEED CONTROL

SLOW



FAST

BACK CHECK VALVE

INCREASE



DECREASE

DELAY ACTION (OPTIONAL)

INCREASE DELAY TIMES



DECREASE DELAY TIMES

1. **"CLOSING SPEED"**—control by closing speed valve.

-Turn the closing speed valve **CLOCKWISE** the closing speed be slow.

-Turn the closing speed valve **COUNTER-CLOCKWISE** the closing speed be fast.

2. **"LATCHING SPEED"**—control is the same closing speed.

3. **"BACK CHECK"**—control by back check valve.

-Turn the back check valve **CLOCKWISE** the back check power be strong.

-Turn the back check valve **COUNTER-CLOCKWISE** the back check power be weak

4. **"DELAY ACTION"**(OPTIONAL)—control by delay action valve.

-Turn the delay action valve **CLOCKWISE** the delay action times be increase.

-Turn the delay action valve **COUNTER-CLOCKWISE** the delay action times be decrease.