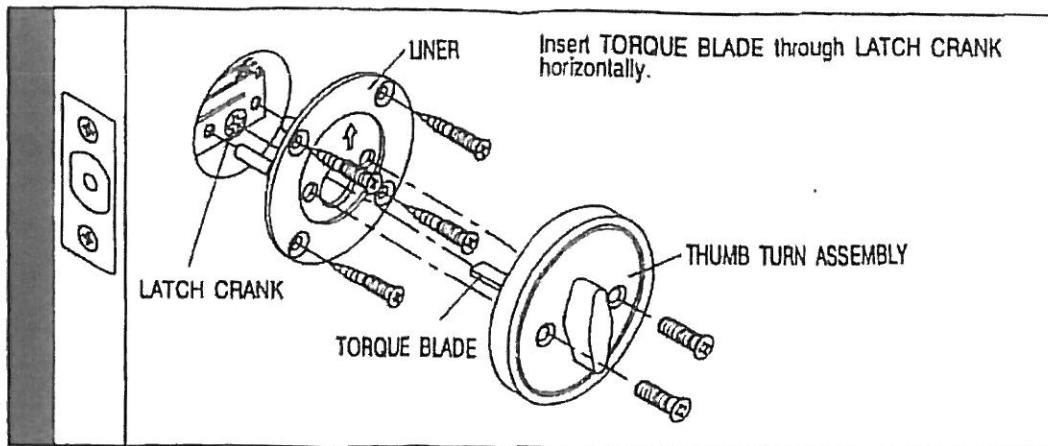
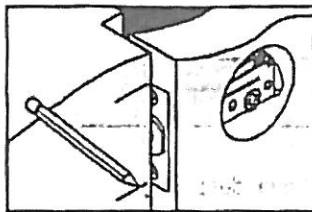


4. INSTALL THUMB TURN ASSEMBLY

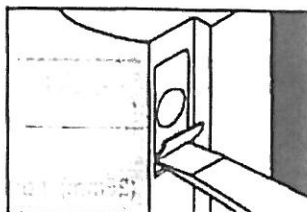


Please fix 4 screws through LINER on inside of door at the position marked on TEMPLATE. THEN, fix 2 screws through THUMB THRN ASSEMBLY firmly.

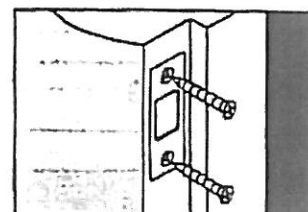
5. INSTALL STRIKE PLATE



Close door until latchbolt touches jamb to locate strike in jamb and center line of strike. Open door and extend line from mark to door stop.



Measure one half of door thickness from door stop and vertically mark drill point center for strike. Drill 1" (25mm) hole 1" (25mm) deep in door jamb for strike.



Chisel 1/16" (1.5mm) deep for strike. Install and tighten screws.

