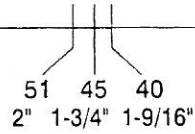


TEMPLATE

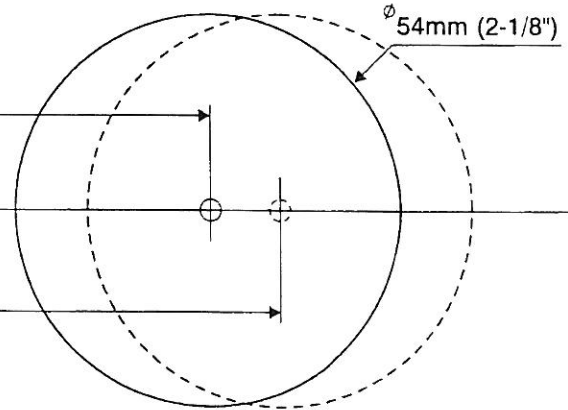
**Fold on dotted line and
fit on door edge**



Mark 1" (25.4mm) hole at
center of door edge.

FOR BACKSET
2-3/8" (60mm)

FOR BACKSET
2-3/4" (70mm)



LM1

LM1