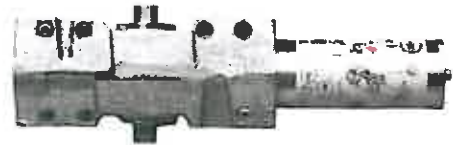




900 SERIES

Heavy-Duty Commercial Grade 1 Surface Applied Closers



Standard Features

- **Performance** Complies with ANSI A156.4, Grade 1, 2 million cycles, UL listed
- **Chassis/Closer** Cast steel
- **Handing** Non-handed
- **Mounting** **TRI-PACK** — regular, top jamb and parallel arm applications.
- **Main Arm** Forged steel, accommodates reveals up to 3 1/4", adjustable extension arm
- **Spring Power** Adjustable 1 - 6 sizes
- **Backcheck** Adjustable, hydraulic - providing cushioning and preventing uncontrolled openings of the door
- **Valves** Adjustable, independent, non-critical (sweep and latch), consistent closing speeds
- **Fasteners** Metal screws included for hollow metal and aluminum mounting applications. Wood screws included for wood door mounting applications. Closers are packed with thru-bolts.
- **Door Range** Up to 180 degrees
- **Door Preparation** 5" horizontal and 2-1/4" vertical mounting hole locations (retrofits traditional closer)
- **Warranty** 25 year limited

Optional Features

- **Covers** High impact plastic and plated kit: cover, arm & bracket
- **Other Features** Refer to Arm Option and Accessories pages for more optional features

TELL MANUFACTURING, INC — Page 32 — 2012

CORPORATE OFFICE: 18 Richard Drive, Lititz, PA 17543 **TOLL FREE:** 800-433-4047 **PHONE:** 717-625-2990 **FAX:** 717-625-7095

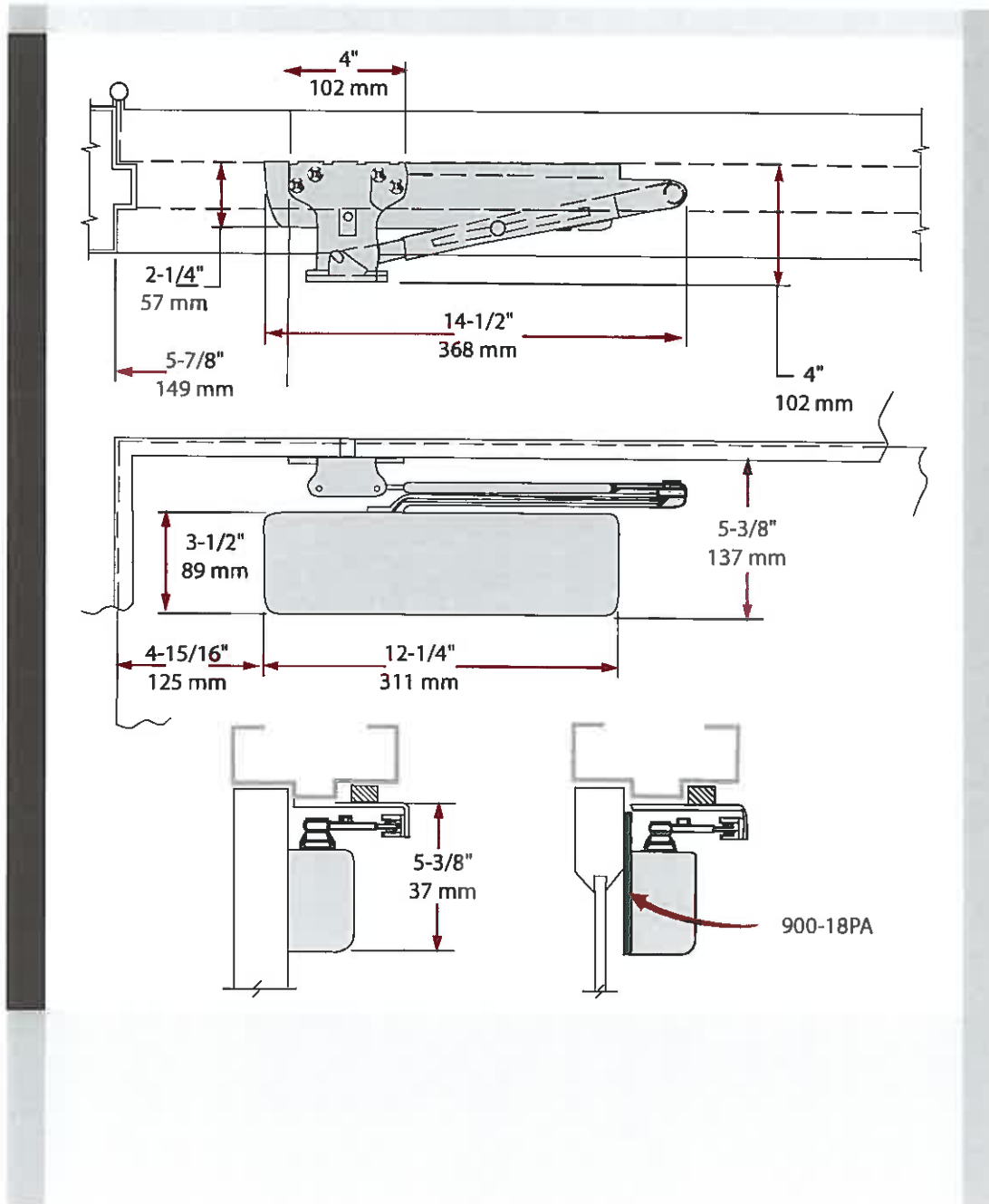
OTHER LOCATIONS: HOUSTON, TEXAS ELKHART, INDIANA MIRA LOMA, CALIFORNIA

WEBSITE: www.tellmfg.com



900 Series Application Drawings:

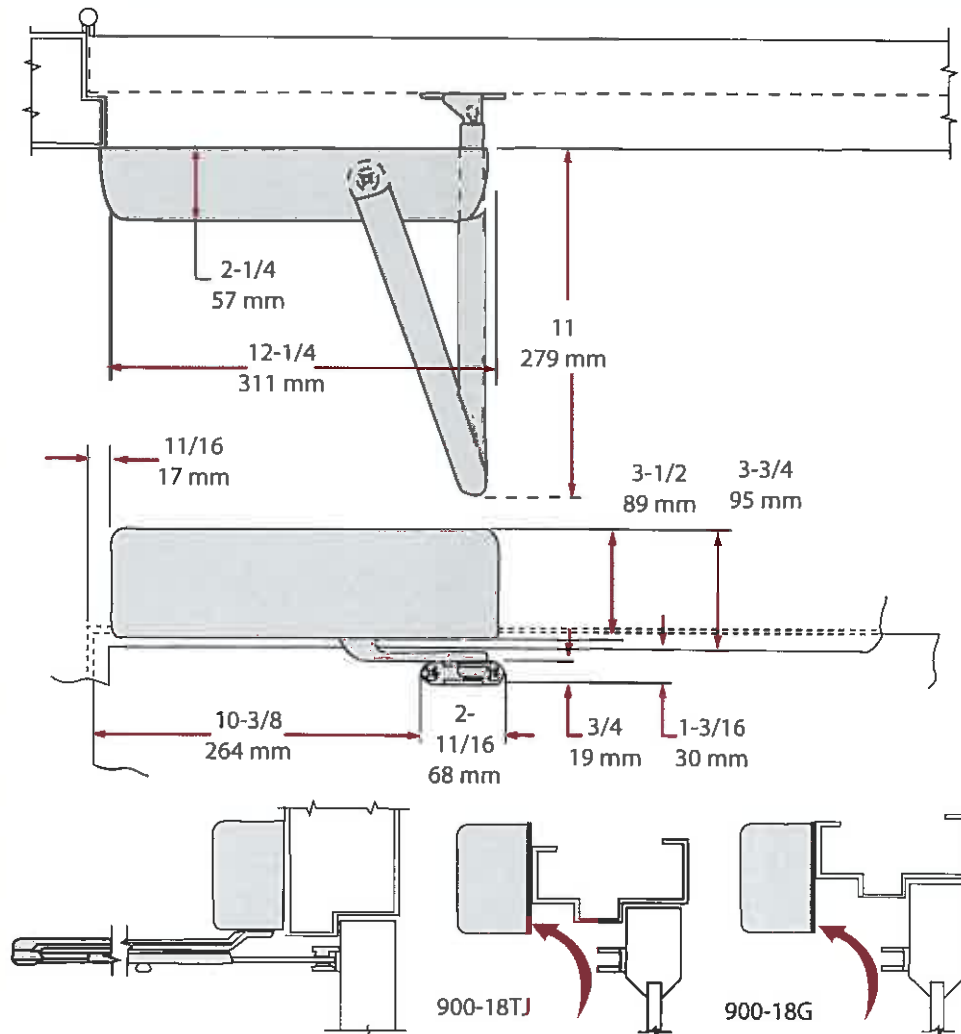
Parallel Arm (Push Side) Mounting





900 Series Application Drawings:

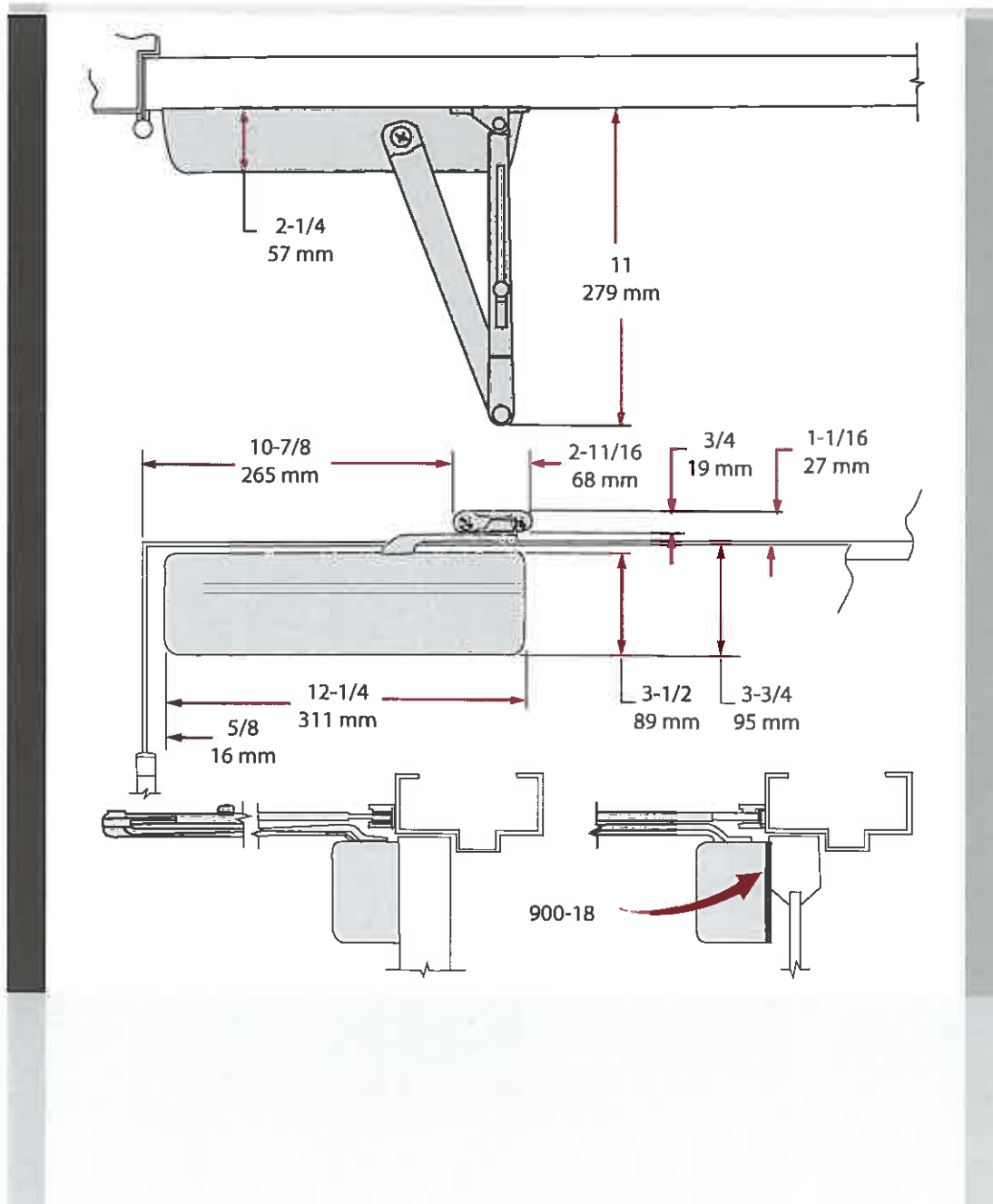
Top Jamb (Push Side) Mounting





900 Series Application Drawings:

Regular (Pull Side) Mounting





900 Series Standard Feature:

Cover

Standard, non-handed high impact plastic cover.
Available for all painted finishes.



900 Series Arm Options:

Regular Arm

DC100191 (AL)

DC100212 (Duro)

Non-handed arm used to mount for regular, top jamb and with parallel arm bracket. Solid steel forged main arm with slide connecting arm to handle reveals up to 3-1/4" inches.



Hold Open, (HO)

DC100138 (AL)

DC100139 (Duro)

Optional, non-handed hold open arm and can be mounted regular, top jamb and parallel arm*.

*PA bracket optional



Heavy Duty Parallel Arm, (SP)

DC100124 (AL)

DC100144 (Duro)

Optional, non-handed heavy-duty parallel arm features forged steel main arm and forearm for abusive conditions.



NOTE: AL=Aluminum, Duro=Duronodic

TELL MANUFACTURING, INC — Page 36 — 2012

CORPORATE OFFICE: 18 Richard Drive, Lititz, PA 17543 TOLL FREE: 800-433-4047 PHONE: 717-625-2990 FAX: 717-625-7095

OTHER LOCATIONS: HOUSTON, TEXAS ELKHART, INDIANA MIRA LOMA, CALIFORNIA

WEBSITE: www.tellmfg.com



900 Series Arm Options:

Heavy Duty Parallel Hold Open Arm, (SPH)

DC100125 (AL) Left Handed (LH)

DC100143 (Duro)

DC100371 (AL) Right Handed (RH)

Optional, handed hold open heavy-duty parallel arm features forged steel main arm and forearm for abusive conditions.



Heavy Duty Dead Stop Arm, (DS)

DC100193 (AL)

Optional, non-handed heavy-duty parallel arm features forged steel main arm and forearm with positive dead stop built into soffit plate.



Heavy Duty Dead Stop Hold Open Arm, (DSH)

DC100181 (AL)

DC100190 (Duro)

Optional, handed hold open heavy duty parallel arm features forged steel main arm and forearm with positive dead stop built into soffit plate.



900 Series Options:

Plated Kit

DC100184 (US3)

DC100185 (US26)

DC100200 (US26D)

DC100202 (US4)

Optional Plated Kit includes non-handed full metal cover, regular arm, parallel arm bracket and all fasteners in matching plated finish



NOTE: AL=Aluminum, Duro=Duronodic, US3=Bright Brass, US26=Bright Chrome, US26D=Satin Chrome, US4=Satin Brass, RH=Right Handed, LH=Left Handed



900 Series Accessories:

PA Shoe Bracket, (PABKT)

DC100213 (Duro)

Used when mounting parallel arm with 900 regular arm and 900 HO arm.



PHO "L" Bracket

DC100225 (AL)

Used when mounting parallel arm or friction hold open (FHO) arm.



Sex Nuts:

SNB1

DC100094 (AL)

DC100095 (Duro)

DC100096 (Gold)

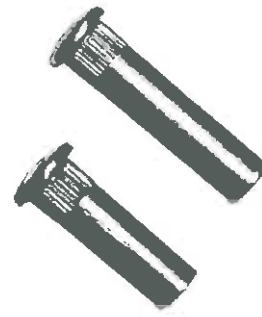
SNB1 — Sex nuts with machine screws for 1-3/4" (44 mm) door.

SNB2

DC100089 (AL)

DC100203 (Duro)

SNB2 — Sex nuts with machine screws for 1-3/8 (35 mm) door.



Top Jamb Drop Plate

DC100210 (AL)

Optional drop plate to mount closer on top jamb application where ceiling is flush with top of frame. Requires minimum 1-3/4" frame face.



PA Drop Plate

DC100141 (AL)

DC100140 (Duro)

Optional drop plate to mount closer parallel arm where top rail of door is less than 5-1/2" measured from the stop. Minimum top rail on door of 2" required.



Regular Mount Plate

DC100126 (AL)

DC100142 (Duro)

Optional drop plate to mount closer parallel arm where top rail of door is less than 5-1/2" measured from the stop. Minimum top rail on door of 2" required.



NOTE: AL=Aluminum, Duro=Duronodic, US3=Bright Brass, US26=Bright Chrome, US26D=Satin Chrome, US4=Satin Brass

TELL MANUFACTURING, INC — Page 38 — 2012

CORPORATE OFFICE: 18 Richard Drive, Lititz, PA 17543 TOLL FREE: 800-433-4047 PHONE: 717-625-2990 FAX: 717-625-7095
OTHER LOCATIONS: HOUSTON, TEXAS ELKHART, INDIANA MIRA LOMA, CALIFORNIA
WEBSITE: www.tellmfg.com



900 Series Cross Reference Chart:

TELL	CAL-ROYAL	DORMA	LCN	NORTON	SARGENT	YALE
900	CR441*	8916 AF	4040*	7500	281	4400

NOTE: This chart has been prepared by comparing functions of door closers. Since no products are exactly alike, the data on this chart represents our judgement of which products are most similar. Because information has been obtained from trade sources, it is not guaranteed nor represented that any specific product exactly equals any other product.

* RETROFIT INSTALLATION HOLE FOR HOLE

900 Series Door Sizing Chart:

Door Sizing Chart	DOOR WIDTH							
	24" min. 610mm	30" max. 762mm	36" max. 914mm	42" max. 1067mm	48" max. 1219mm	54" max. 1372mm	60" max. 1523mm	
CLOSER								
900	Interior ✓	✓	☒	☒	✓	✓	✓	✓
	Exterior ✓	✓	☒	✓	✓	N/A	N/A	

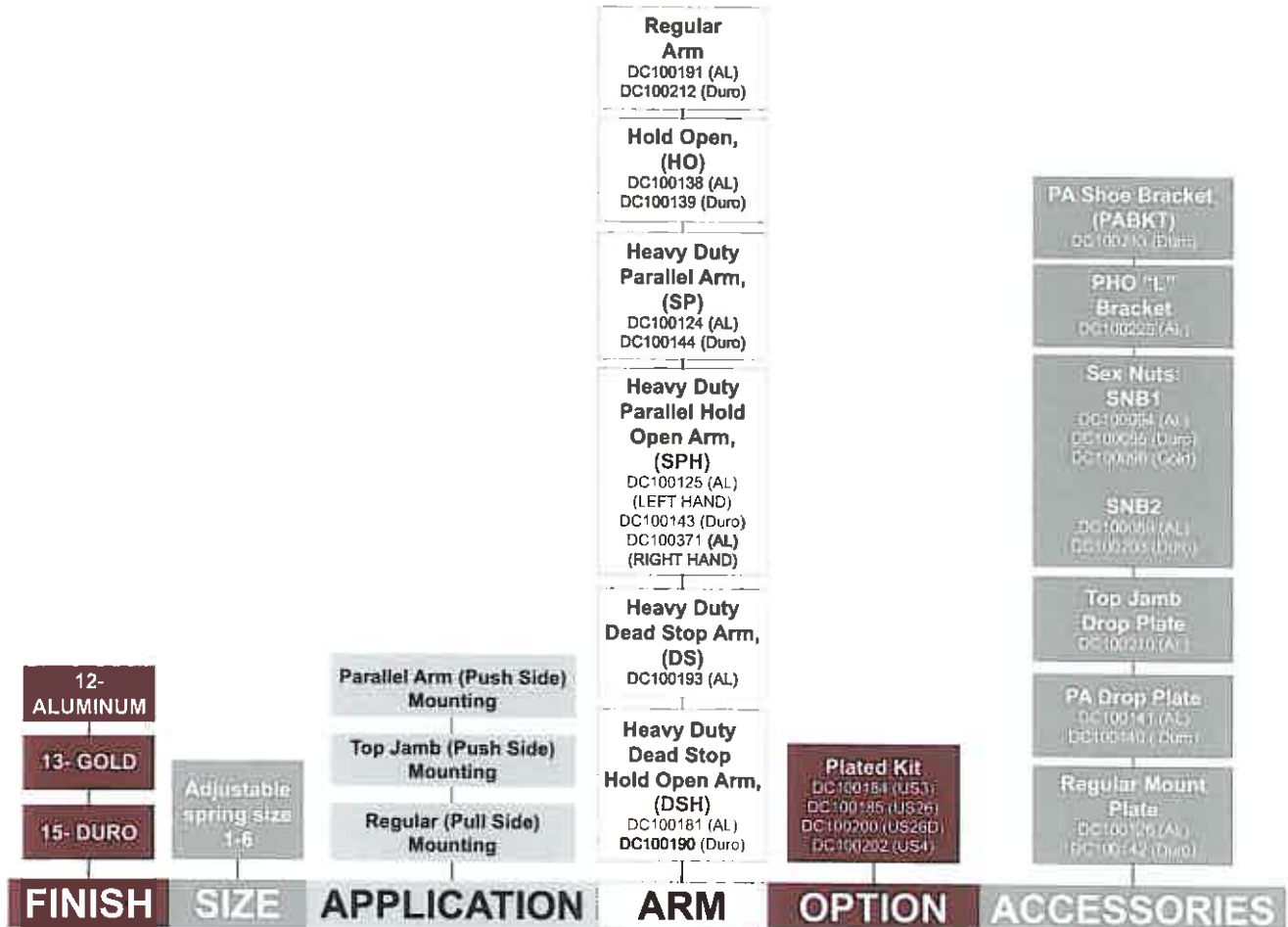
✓ = Recommended

N/A = Not applicable or recommended

☒ = Opening force 5 lbs. on interior and 8.5 lbs. on exterior doors



How to Order 900 Series:



FINISH	SIZE	APPLICATION	ARM	OPTION	ACCESSORIES
Example: 12916	Example: 12916	Example: 12916 PA	Example: 12916BC... REG	Example: 12916BC... x PLATED KIT	Example: 12916BC... x PABKT
Example: 13916		Example: 12916 TJ	Example: 12916BC... x HO		Example: 12916BC... x SNB1
Example: 15916		Example: 12916 REG	Example: 12916BC... SP		Example: 12916BC... x TJDP
			Example: 12916BC... x SPH		Example: 12916BC... x PA DP
			Example: 12916BC... DS		Example: 12916BC... x REG
			Example: 12916BC... x DSH		

900 Series Example:
12916 BC TOPJAMB PHO COVER DROP PLATE SN1